

Mechanical spool position switches



- wide output current range (10 mA to 5A);
- heavy duty construction, corrosion resistant;
- long mechanical life (10^6 cycles).

Precision ball switch for spool direction and neutral position detection, with NO and NC circuits in single and redundant configuration.

This switch is available on wide ranges of valves.

| Working conditions | | 8MG |
|---------------------|-------------------|--|
| Voltage rating | | from 5 to 24 VDC |
| Current rating | | from 10 mA to 5A |
| Electrical life | | 5×10^5 |
| Mechanical life | | 10^6 |
| Connector type | integrated | Packard Weather-Pack |
| | with flying leads | Packard Weather-Pack Deutsch DT series - AMP Superseal |
| Weather protection | | IP67 |
| Working temperature | | from -40°C to 120°C (<i>from -40°F to 248°F</i>) |

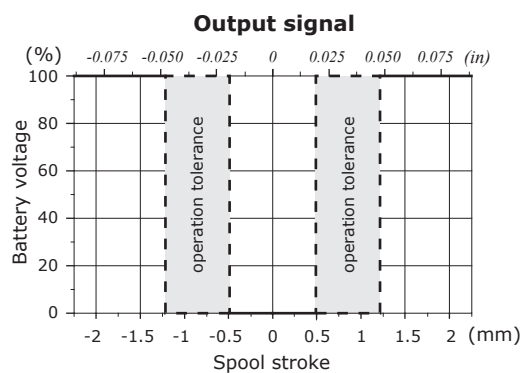
Spool position switches

Mechanical spool position switches

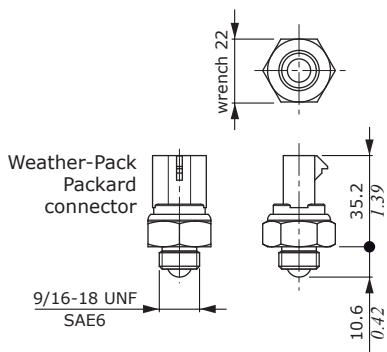
8MG type



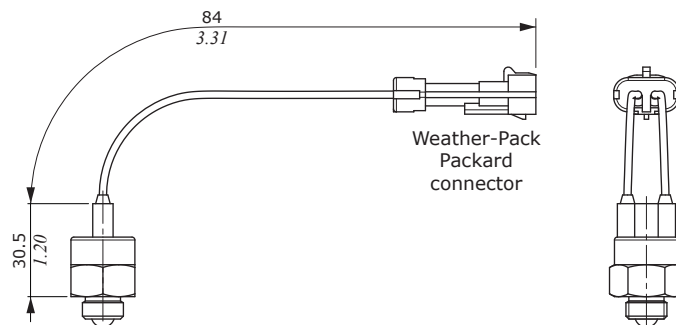
IMPORTANT: It is suggested to order the sensors through the controls assembled on the monoblock and sectional valves. These controls, in different configurations, are available on the full range of Walvoil directional valves.



Sensor with integrated connector



Sensor with connector and flying leads



Example of sensor in 8MG control with SD8 working section

