



SD8 - DLS8
Sectional directional
control valves

TECHNICAL CATALOG



Features

SD8

Simple, compact and heavy duty designed sectional valve from 1 to 14 sections for open and closed centre hydraulic systems.

- Fitted with a main pressure relief valve and a load check valve on every working section.
- Available with parallel, tandem or series circuit.
- Optional carry-over port.
- A wide range of port and circuit valves.
- Intermediate sections for several types of circuit.
- Available manual, pneumatic, hydraulic, electro-hydraulic, and remote with flexible cable spool control kits.
- Diameter 18 mm (*0.71 in*) interchangeable spools.

DLS8

These Load-Sensing directional valves are fitted with compensator in the inlet section.

They are made using the SD8 working sections.

They can be used both with fixed displacement pumps (open centre version) and variable displacement pumps (closed centre version).

Ports valves and control kits are the same as SD8 directional valve.

Additional information

This catalogue shows the product in the most standard configurations.

Please contact our Sales Dpt. for more detailed information or special requests.

WARNING!

All specifications of this catalogue refer to the standard product at this date.

Walvoil, oriented to a continuous improvement, reserves the right to discontinue, modify or revise the specifications, without notice.

WALVOIL IS NOT RESPONSIBLE FOR ANY DAMAGE CAUSED BY AN INCORRECT USE OF THE PRODUCT.

2nd edition June 2018

SD8

- Valve general information
 - Working conditions page 4
 - Standard threads page 4
 - Dimensional data page 5
 - Performance data page 5
 - Hydraulic circuit page 6
 - Complete section ordering codes page 8
- Inlet section
 - Part ordering codes page 10
 - Dimensional data and hydraulic circuit page 13
 - Inlet relief valve options page 17
 - Inlet valve options page 19
- Working section
 - Part ordering codes page 22
 - Dimensional data and hydraulic circuit page 24
 - Spools page 25
 - "A" side spool positioners page 27
 - "B" side options page 38
 - Complete controls page 41
 - Port valves page 42
- Intermediate section
 - DFG compensated flow regulator page 44
 - EI service relief valve section page 45
 - CST mid return manifold section page 46
 - CS1 mid return manifold section page 46
- Outlet section
 - Part ordering codes page 47
 - Dimensional data and hydraulic circuit page 47

DLS8

- Valve general information
 - Working conditions page 49
 - Standard threads page 49
 - Dimensional data page 50
 - Performance data page 50
 - Hydraulic circuit page 51
 - Complete section ordering codes page 52
- Inlet section
 - Part ordering codes page 53
 - Dimensional data and hydraulic circuit page 54
 - Load Sensing relief valve page 55
- Working section
 - Part ordering codes page 56
 - Dimensional data and hydraulic circuit page 58
 - Spools page 58
 - "A" side spool positioners page 27
 - "B" side options page 38
 - Complete controls page 41
- Outlet section
 - Part ordering codes page 59
 - Dimensional data and hydraulic circuit page 59
- **Installation and maintenance** pag. 60
- **Accessories** pag. 61

Working conditions

This catalogue shows technical specifications and diagrams measured with mineral oil of 46mm²/s (46 cSt) viscosity at 40°C (104°F) temperature.

Nominal flow rating		90 l/min	24 US gpm
Max. pressure		315 bar	4600 psi
Back pressure (max.)	on outlet T port	25 bar	360 psi
Internal leakage A(B)⇒T (standard)	Δp = 100 bar	3 cm ³ /min	0.18 in ³ /min
Fluid		Mineral base oil	
Fluid temperature	with NBR (BUNA-N) seals	from -20°C to 80°C	from -4°F to 176°F
	with FPM (VITON) seals	from -20°C to 100°C	from -4°F to 212°F
Viscosity	operating range	from 15 to 75 mm ² /s	from 15 to 75 cSt
	min.	12 mm ² /s	12 cSt
	max.	400 mm ² /s	400 cSt
Max. contamination level		-/19/16 - ISO 4406	NAS 1638 - class 10
Environmental temperature for working conditions		from -40°C to 60°C	from -40°F to 140°F
Tie rod tightening torque(wrench 13)		30 Nm	22 lbft

NOTE - For different conditions please contact our Sales Dept.

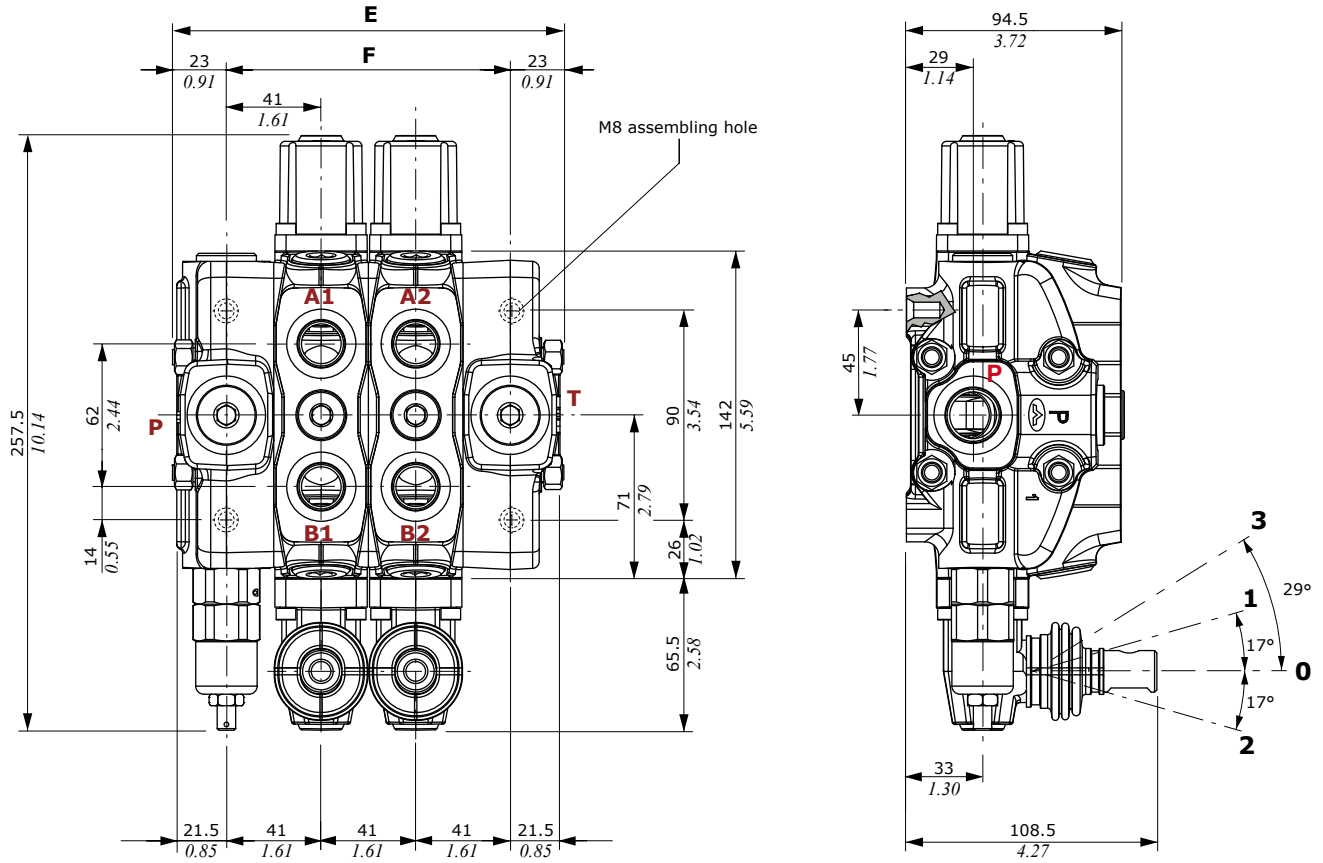
Standard threads

REFERENCE STANDARD					
		BSP	UN-UNF	METRIC	NPTF
THREAD ACCORDING TO		ISO 228/1	ISO 263	ISO 262	ANSI B1.20.3
		BS 2779	ANSI B1.1 unified		
CAVITY DIMENSION ACCORDING TO	ISO	1179-1	11926-1	9974-1	
	SAE		J1926-1	J2244	J476a
	DIN	3852-2, X or Y shape		3852-1, X or Y shape	

PORT THREADING			
MAIN PORTS	BSP	UN-UNF	METRIC
P inlet	G 1/2	7/8-14 (SAE 10)	M18x1.5
A and B ports	G 1/2	3/4-16 (SAE 8)	M18x1.5
T outlet and C carry-over	G 3/4	7/8-14 (SAE 10)	M22x1.5
PILOT PORTS			
Hydraulic	G 1/4	9/16-18 (SAE 6)	G 1/4
Pneumatic	NPTF 1/8-27	NPTF 1/8-27	NPTF 1/8-27

NOTE - AC/SN and AD/VP inlet sections and mid return manifold sections have different threads. See page 8 and page 44. S

Dimensional data

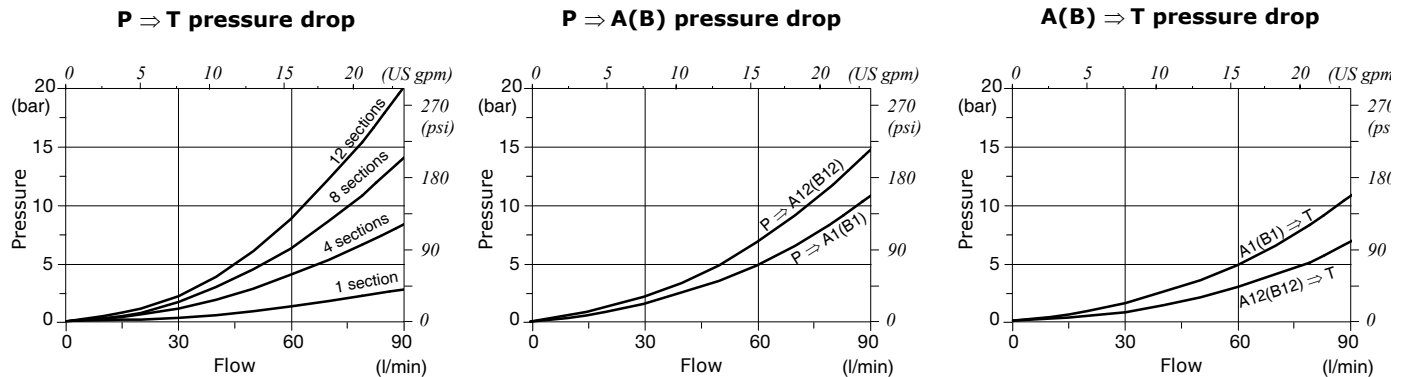


NOTE - Drawings and dimensions are referred to **BSP** thread configuration.

TYPE	E		F		Weight	
	mm	in	mm	in	Kg	lb
SD8/1	128	5.04	82	3.23	7.2	15.9
SD8/2	169	6.65	123	4.84	10.5	23.1
SD8/3	210	8.27	164	6.46	13.8	30.4
SD8/4	251	9.88	205	8.07	17.1	37.7
SD8/5	292	11.5	246	9.69	20.1	44.3
SD8/6	333	13.11	287	11.3	23.4	51.6
SD8/7	374	14.72	328	12.91	26.7	58.9

TYPE	E		F		Weight	
	mm	in	mm	in	Kg	lb
SD8/8	415	16.34	369	14.53	30	66.1
SD8/9	456	17.95	410	16.14	33.3	73.4
SD8/10	497	19.57	451	17.74	36.6	80.7
SD8/11	538	21.18	492	19.37	39.9	88
SD8/12	579	22.79	533	20.98	43.2	95.3
SD8/13	620	24.41	574	22.60	46.5	102.5
SD8/14	661	26.02	615	24.21	49.8	109.8

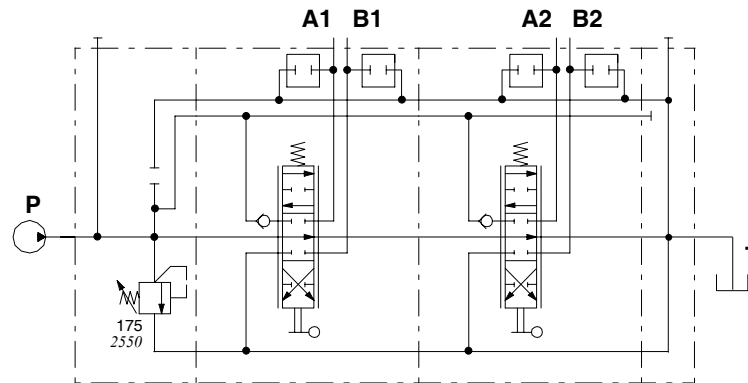
Performance data



Hydraulic circuit

Parallel circuit

Standard configuration with open centre and side inlet and outlet.

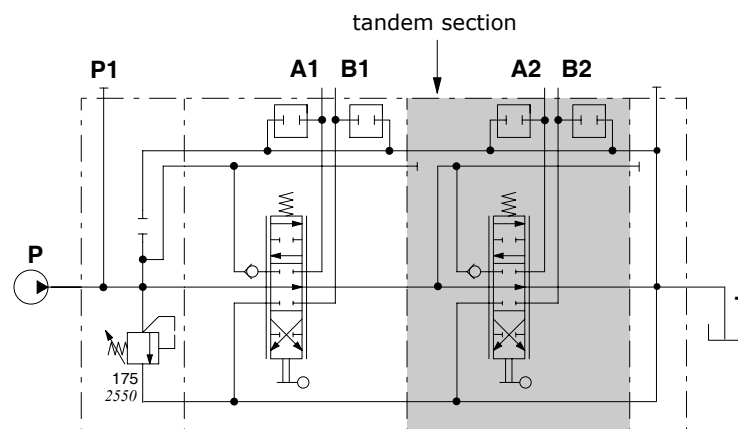


Description example:
SD8/2/AC(YG3-175)/18L/18L/RC-SAE

Series-parallel (tandem) circuit

A special working section kit is required.

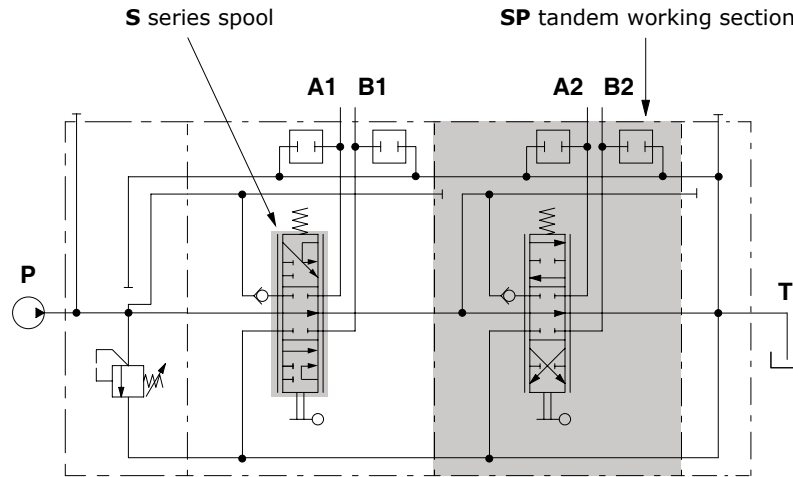
Tandem section is fed by the free flow pressure line; it is excluded when an upstream section is operated.



Description example:
SDS8/2/AC(YG3-175)/18L/SP-18L/RC-SAE

Series circuit

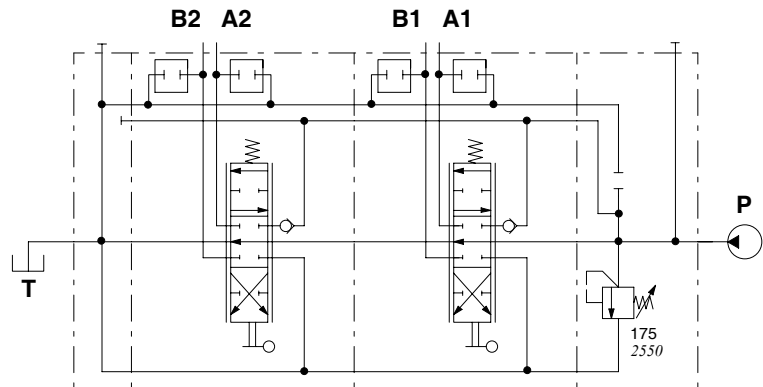
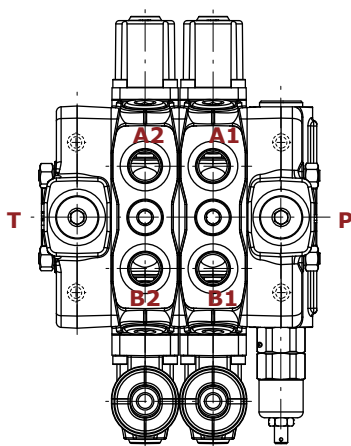
It is obtained by mounting a 1S series spool (or 2S, see pages 22 and 26) on a standard parallel section. The next section must be a series-parallel (tandem) one.



Description example:
SD8/2/AC(YG3-175)/1S8L/SP-18L/S-18L/RC-SAE

NOTE - The flows P → A and P → B, on the series spool, are reversed.

Directional valve with right inlet



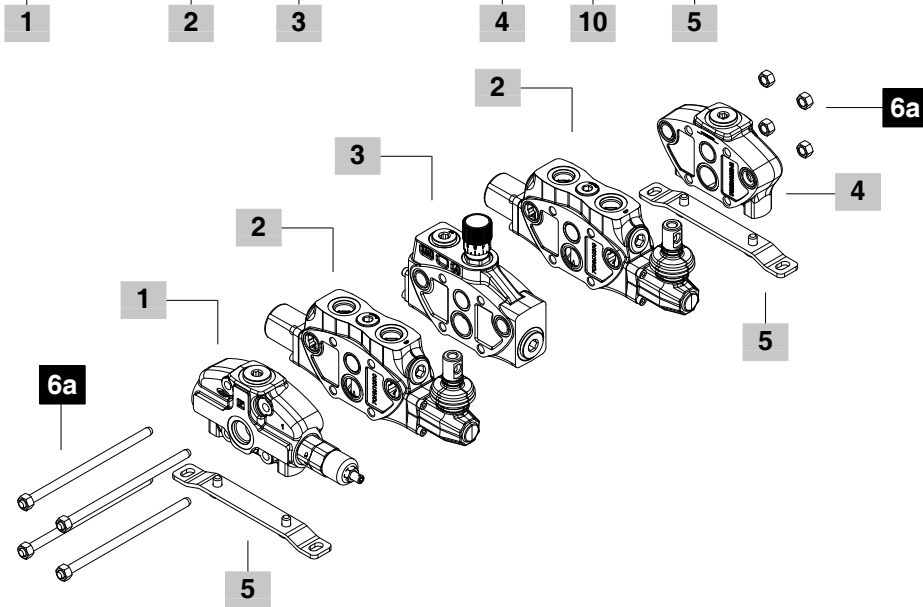
Description example:
SD8/2/BC(YG3-175)/18L/18L/RC-SAE

Complete sections ordering codes

Standard configuration with side inlet and outlet

SD8 / 2 / AC(YG3-175) / 18L / DFG / 18L / RC - - STAF

Nr. of working sections



1 Inlet section * page 12

TYPE	CODE	DESCRIPTION
AC(YG3-175)	613205018	Side inlet with direct pressure relief valve
AC(XG-120)	613205007	Side inlet with pilot operated pressure relief valve
AC(SV)	613205005	Side inlet with valve blanking plug
AC(YG3-120)SN	613205102	Side inlet with flow regulator, SAE12 port
AD/VP(LSZ-230)ELN-12VDC	613205030	Upper inlet with priority valve, SAE12 P and T ports

For special configuration please see page 12

2 Working section * page 22

TYPE	CODE	DESCRIPTION
Q-18L	613151002	Parallel circuit, double acting spool with spring return, lever control
P-18L	613105001	As previous one, arranged for port valves ("P" omitted in description)
P-1S8L	613115001	As previous one, with series circuit spool ("P" omitted in description)
SP-18L	613125001	As previous one, with series-parallel (tandem) circuit
P-1M8IM	613105004	Parallel circuit, arranged for port valves, double acting spool, proportional hydraulic control

3 Intermediate section page 44

TYPE	CODE	DESCRIPTION
DFG	613410011	Pressure compensated flow divider section
EI1(YG2-125)	613425000*	With direct overpressure relief valve
EI2(YG3-175)	613425010*	With direct overpressure relief valve and auxiliary inlet

4 Outlet section * page 47

TYPE	CODE	DESCRIPTION
RC	613305001	With side outlet
RD	613305002	With upper outlet
RE	613305003	With upper outlet and side carry-over sleeve
RK	613305005	With upper outlet, closed centre
RV	613305004	With back pressure valve the combination with electro-hydraulic control is required

5 Fixing bracket page 64

TYPE	CODE	DESCRIPTION
STAF	5STA125190	Brackets with fixing screws

6a Assembling kit

CODE	DESCRIPTION
5TIR108128	Tie rod kit for 1 working section directional valve
5TIR108169	Tie rod kit for 2 working section directional valve
5TIR108210	Tie rod kit for 3 working section directional valve
5TIR108251	Tie rod kit for 4 working section directional valve
5TIR108292	Tie rod kit for 5 working section directional valve
5TIR108333	Tie rod kit for 6 working section directional valve
5TIR108374	Tie rod kit for 7 working section directional valve
5TIR108415	Tie rod kit for 8 working section directional valve
5TIR108456	Tie rod kit for 9 working section directional valve
5TIR108497	Tie rod kit for 10 working section directional valve
5TIR108538	Tie rod kit for 11 working section directional valve
5TIR108579	Tie rod kit for 12 working section directional valve
5TIR108620	Tie rod kit for 13 working section directional valve
5TIR108661	Tie rod kit for 14 working section directional valve

Assembling kit for VP inlet section

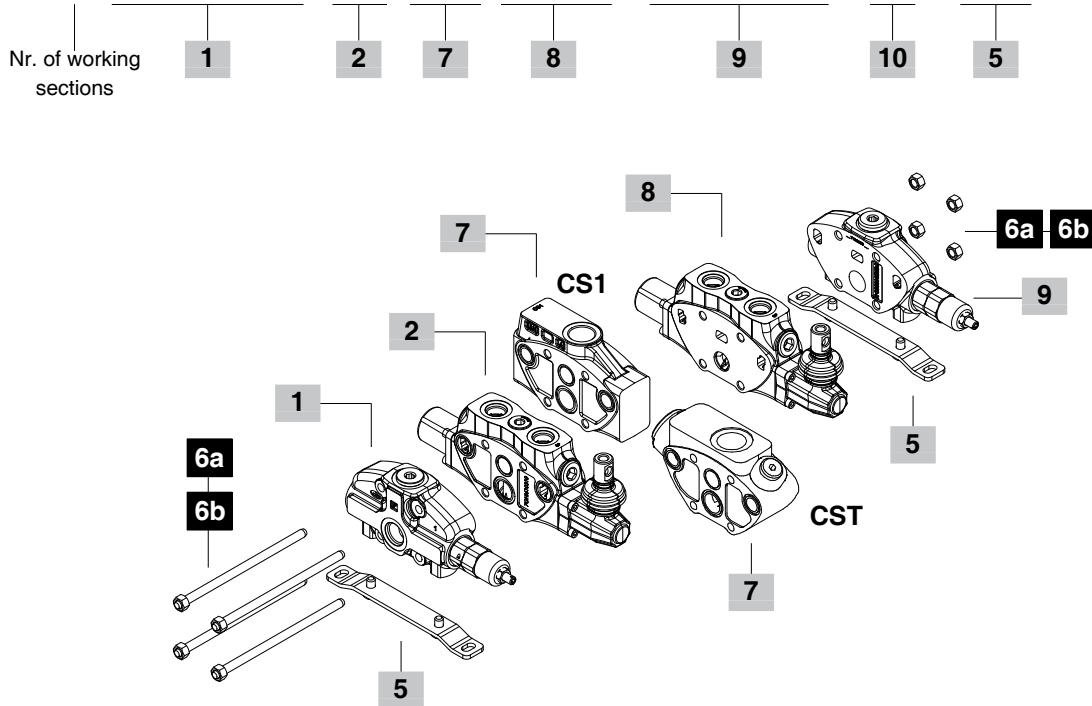
5TIR108137	Tie rod kit for 2 working section directional valve
5TIR108179	Tie rod kit for 3 working section directional valve
5TIR108219	Tie rod kit for 4 working section directional valve

For different number of working section please contact our Sales Dept.

NOTE (*) - Codes are referred to **BSP** thread.

Configuration with 2 side inlets and mid return manifold

SD8 / 2 / AC(YG3-175) / 18L / CS1 / ED-18L / BC(YG3-175) - - STAF



6b Assembling kit

CODE	DESCRIPTION
5TIR108260	Tie rod kit for 3 working section directional valve (+CST)
5TIR108301	Tie rod kit for 4 working section directional valve (+CST)
5TIR108342	Tie rod kit for 5 working section directional valve (+CST)
5TIR108382	Tie rod kit for 6 working section directional valve (+CST)
5TIR108424	Tie rod kit for 7 working section directional valve (+CST)
5TIR108465	Tie rod kit for 8 working section directional valve (+CST)
5TIR108506	Tie rod kit for 9 working section directional valve (+CST)

7 Return manifold * page 47

TYPE	CODE	DESCRIPTION
CS1	613401011	Mid return manifold with SAE12 outlet port
CST	613405400	Mid return manifold with SAE16 outlet port

For **CS1** type **6a** assembling kit is required; for **CST** type **6b** assembling kit is required.

8 Right inlet working section *

TYPE	CODE	DESCRIPTION
Q-ED-18L	613151004	Parallel circuit, without arrangement for port valves, double acting spool with spring return, lever control
P-ED-18L	613101034	As previous one prearranged for port valves
P-ED-1S8L	613111003	As previous one with series circuit spool
SP-ED-18L	613121004	As previous one with series-parallel (tandem) circuit

9 Complete right inlet cover *

TYPE	CODE	DESCRIPTION
BC(YG3-175)	613205020	Side inlet with direct pressure relief valve
BC(XG-120)	613205011	Side inlet with pilot operated pressure relief valve
BC(SV)	613205006	Side inlet with valve blanking plug

10 Valve threading

Specify only if it is different from BSP standard (see page 4)

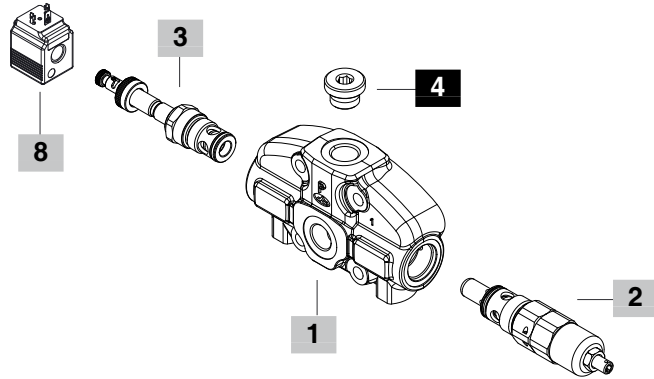
NOTES (*) – Codes are referred to **UN-UNF** thread. Inlet sections and working sections for right inlet are different from the standard (see ref. **1** and **2**) because of different component assembling.

Part ordering codes

FE SD8 / AC (YG3 - 175) ELTW - - 12VDC - SAE

1 2 3 7 8

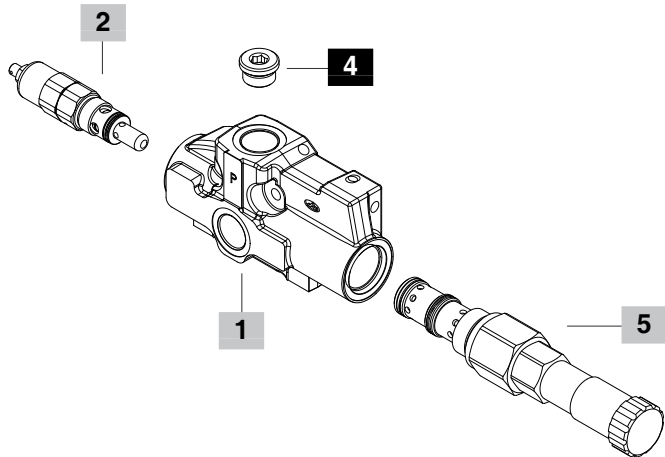
Valve setting
(bar)



FE SD8 / AC (YG3 - 175) S N - SAE

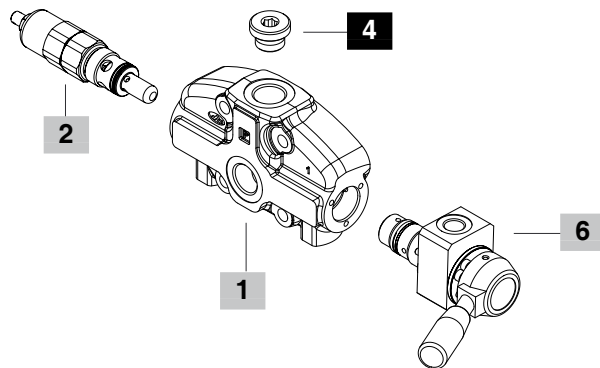
1 2 1 5 7

Valve setting
(bar)



FE SD8 / AC (YG3 - 175) R2 - SAE

1 2 6 7



Part ordering codes

1 Inlet cover body * page 13

TYPE	CODE	DESCRIPTION
AC	3FIA108701	Standard body
AC/SN	3FIA108875	Arranged flow regulator
AC/R2	3FIA108712	Arranged for rotary commutation

2 Inlet relief valve options page 17

Standard setting is referred to 10 l/min (2.6 US gpm).

TYPE	CODE	DESCRIPTION
SV	XTAP526340	Relief valve blanking plug
Type X pilot operated pressure relief valve		
(XGA-200)	X006211350	Fixed setting 200 bar (2900 psi)
Type Y pilot operated pressure relief valve (standard)		
(YG2-125)	3XCAR110212	Range 100-160 bar (1450-2300 psi) standard setting 125 bar (1800 psi)
(YG3-175)	3XCAR110213	Range 125-250 bar (1800-3600 psi) standard setting 175 bar (2500)
(YG4-220)	3XCAR110214	Range 200-315 bar (2900-4600 psi) standard setting 220 bar (3200 psi)

3 Inlet valve options page 17

TYPE	CODE	DESCRIPTION
-	XTAP526340	Relief valve blanking plug (omitted in description)
F	3XCAR410200	Inlet anti-cavitation valve
L	XCAR410311	Hydraulic operated
Solenoid operated unloader valve		
ELTW	0EFW0062000	Push and twist type with detent emergency
ELNW	0EFW0062001	Without emergency
ELPW	0EFW0062002	Push-button emergency

4 Parts *

TYPE	CODE	DESCRIPTION
-	3XTAP826160	SAE 10 plug
-	3XTAP832200	SAE 12 plug for S inlet cover

5 Flow control valve page 21

TYPE	CODE	DESCRIPTION
N	1636040203	Flow control valve with handwheel for S type inlet cover

6 Commutator * page 14

TYPE	CODE	DESCRIPTION
R2	5COM406202	Rotary commutator for dedicated inlet cover

7 Section threading

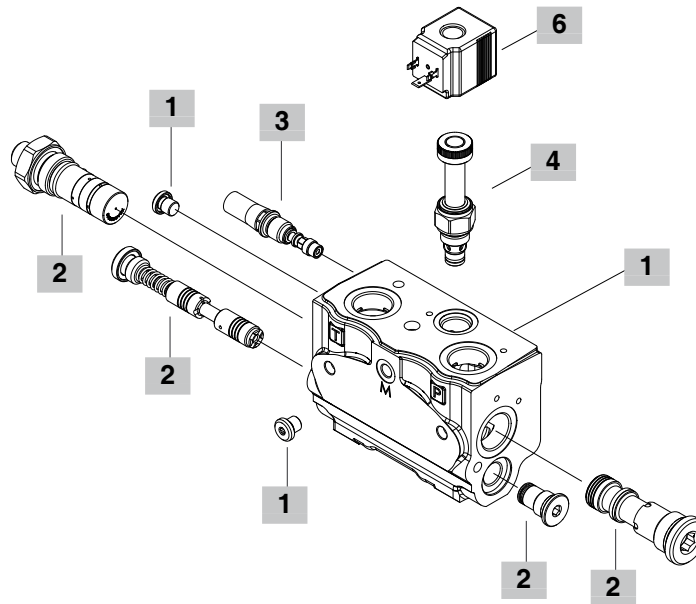
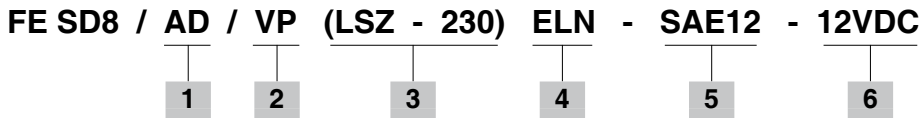
Specify only if it is different from BSP standard (see page 4)

8 Coils page 61

TYPE	CODE	DESCRIPTION
12VDC	4SLE001200A	BER type 12 VDC, ISO4400 connector For complete available coil list, please see page 61

NOTE (*) – Codes are referred to **UN-UNF** thread.

Part ordering codes with VP inlet section



1 Inlet cover body * page 16

TYPE	CODE	DESCRIPTION
AD/VP	5FIA108818-H	arranged for priority valve

2 Compensator kit

TYPE	CODE	DESCRIPTION
VP	5CAS318067	VP compensator kit

3 L.S. relief valve options page 18

Standard setting is referred to 10 l/min (2.6 US gpm)

TYPE	CODE	DESCRIPTION
LSD	XCAR126215	Range 40-180 bar (580-2600 psi) standard setting 90 bar (1300 psi)
	XCAR126213	Range 180-350 bar (2600-5000 psi) standard setting 180 bar (2600 psi)
LSH	XCAR126216	Range 40-180 bar (580-2600 psi) standard setting 90 bar (1300 psi)
	XCAR126217	Range 180-350 bar (2600-5000 psi) standard setting 180 bar (2600 psi)
LSZ	5CAR126221	Range 40-180 bar (580-2600 psi) standard setting 90 bar (1300 psi)
	5CAR126219	Range 130-350 bar (1900-5000 psi) standard setting 180 bar (2600 psi)
ST	5KIT126210	Relief valve blanking plug

4 Unloader valve options page 19

TYPE	CODE	DESCRIPTION
ELN	0EC08002031	Without emergency
ELV	0EC08002034	With screw push-type emergency
ELP	0EC08002033	With push-button emergency
ELT	0EC08002035	With "twist & push" emergency
LT	XTAP510320	Valve blanking plug

5 Section threading

Specify only if it is different from BSP standard (see page 4)

6 Coils page 61

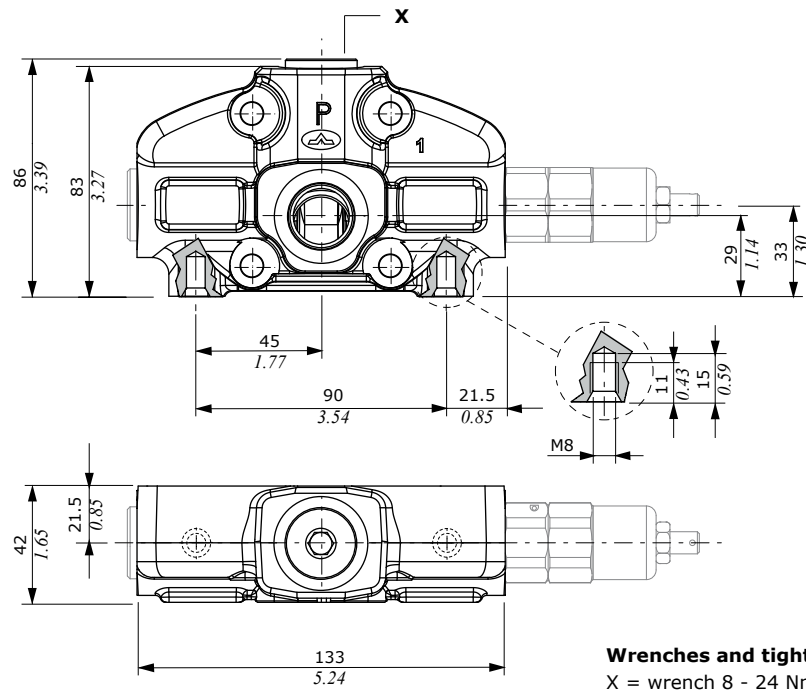
TYPE	CODE	DESCRIPTION
12VDC	4SLE001200A	BER type, 12 VDC, ISO4400 connector

For complete available coil list, please see page 61

NOTE (*) - Codes are referred to **UN-UNF** thread.

Dimensional data and hydraulic circuit

Standard inlet cover configuration

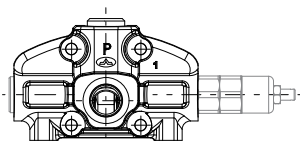
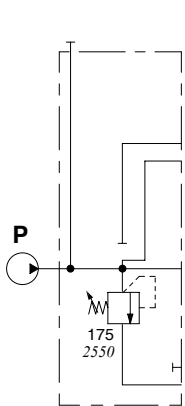


Wrenches and tightening torques

X = wrench 8 - 24 Nm (17.7 lbft)

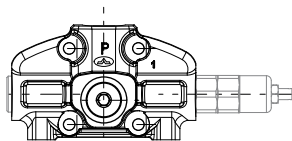
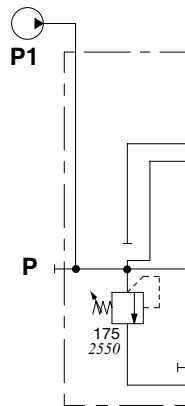
NOTE - for wrenches and tightening torques about valves, please see dedicated pages.

For left inlet directional valve, side port



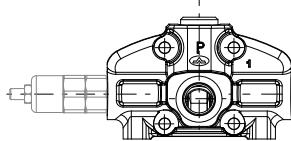
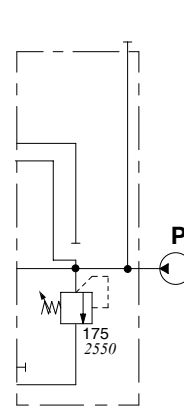
Description example:
AC(YG3-175)

For left inlet directional valve, upper port



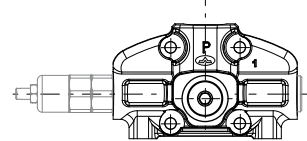
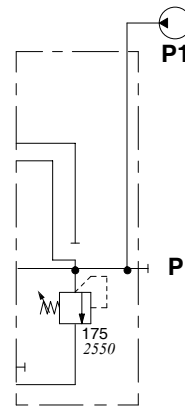
Description example:
AD(YG3-175)

For right inlet directional valve, side port



Description example:
BC(YG3-175)

For right inlet directional valve, upper port

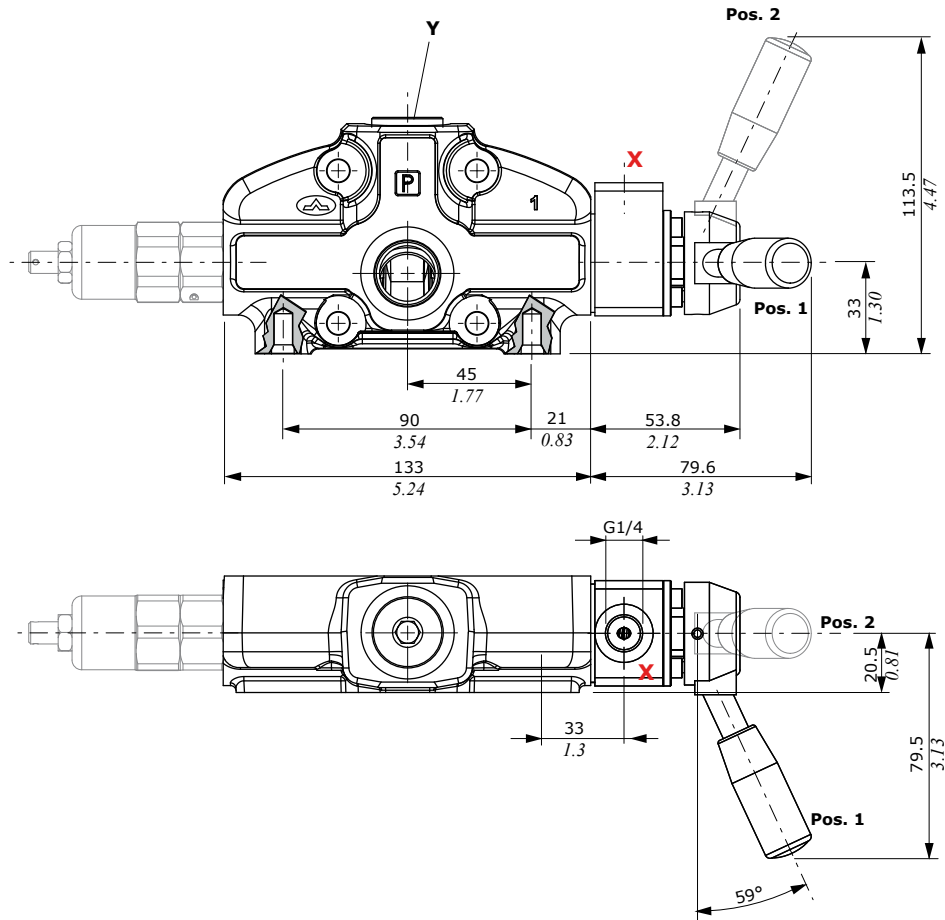


Description example:
BD(YG3-175)

Dimensional data and hydraulic circuit

For rotary commutator

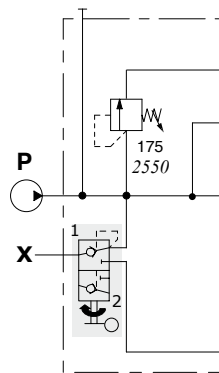
Drawing and circuit are referred to left inlet directional valve.



Wrenches and tightening torques

Y = wrench 8 - 24 Nm (17.7 lbf^t)

NOTE - for wrenches and tightening torques about valves, please see dedicated pages.



Commutator features

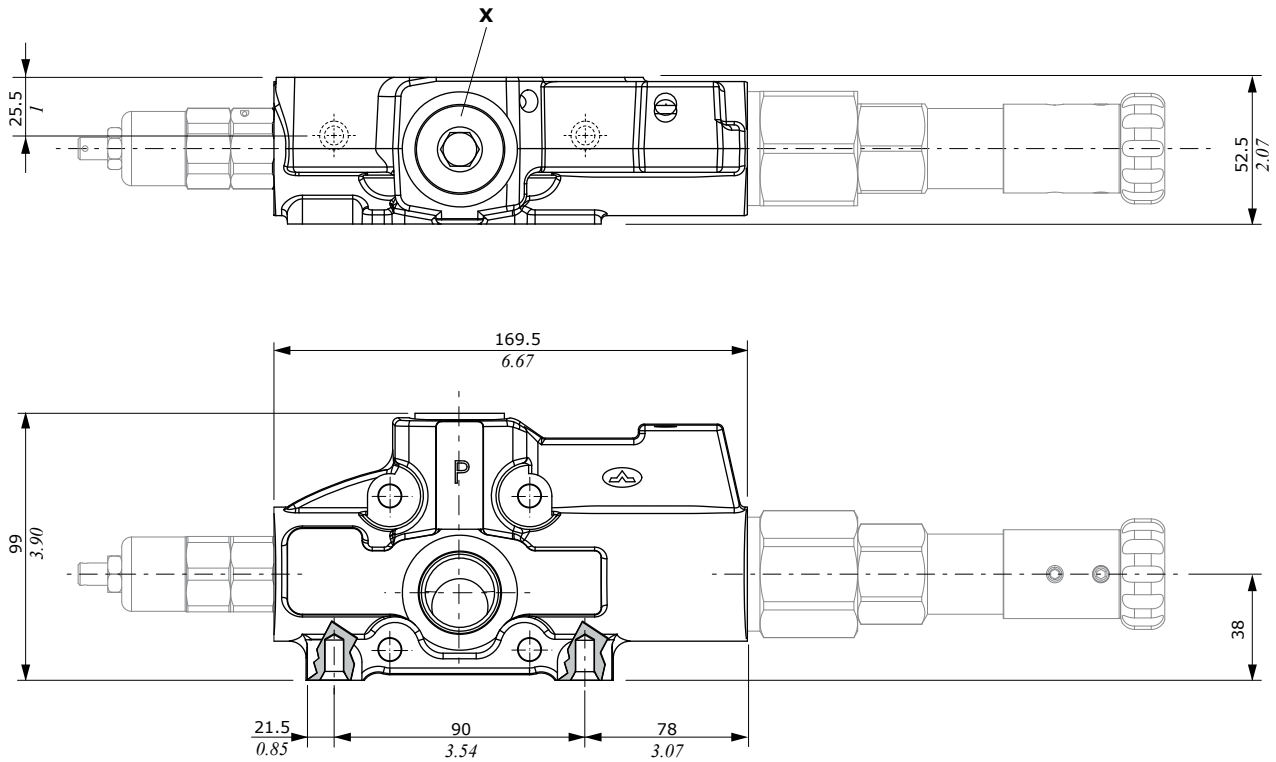
Max. pressure : 210 bar (3050 psi)

Internal leakage : 3 cm³/min @ 100 bar
(0.18 in³/min @ 1450 psi)

Dimensional data and hydraulic circuit

S type for flow regulator

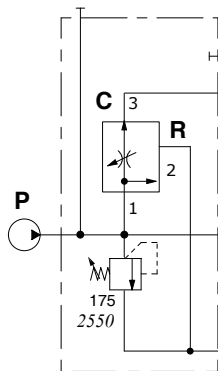
Drawing and circuit are referred to left inlet directional valve.



Wrenches and tightening torques

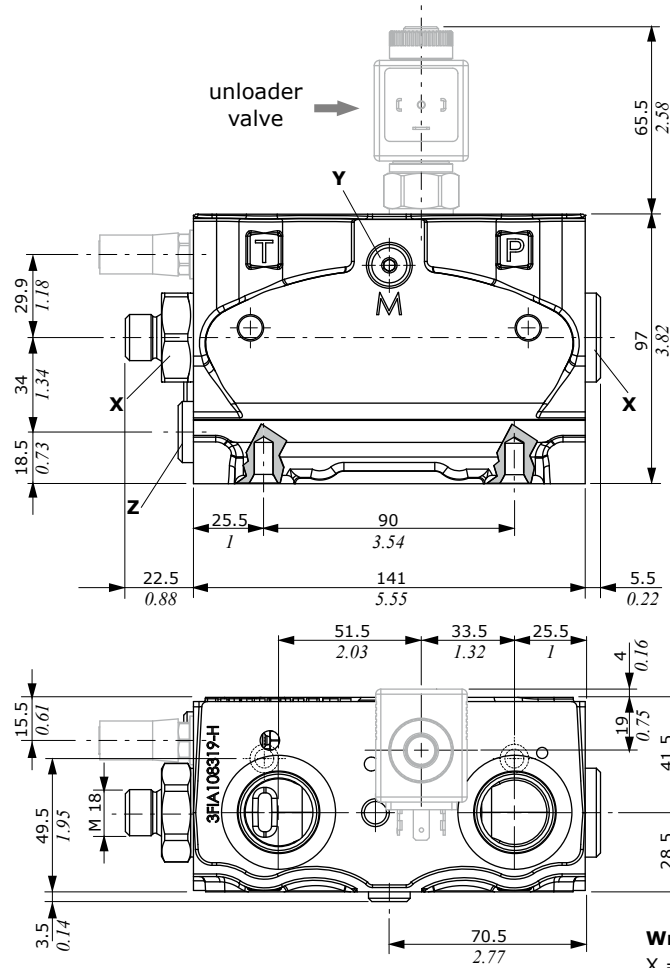
X = wrench 12 - 42 Nm (31 lbf^t)

NOTE - for wrenches and tightening torques about valves, please see dedicated pages.



Configuration with priority valve

Dimensional data and hydraulic circuit



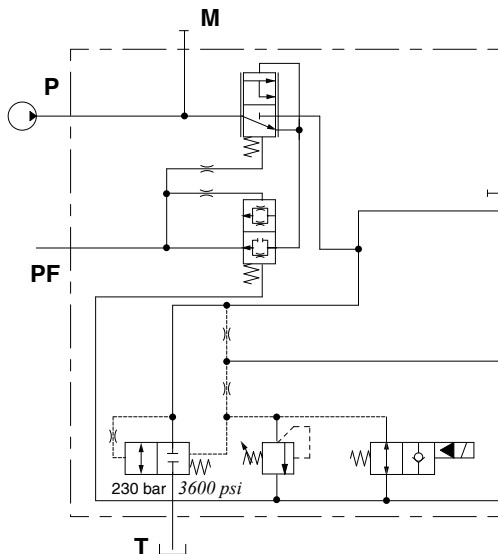
Wrenches and tightening torques

X = wrench 12 - 42 Nm (31 lbft)

Y = allen wrench 4 - 9.8 Nm (7.23 lbft)

Z = allen wrench 6 - 24 Nm (17.7 lbft)

NOTES - for wrenches and tightening torques about valves, please see dedicated pages.



Features

Max. pressure : 315 bar (4550 psi)

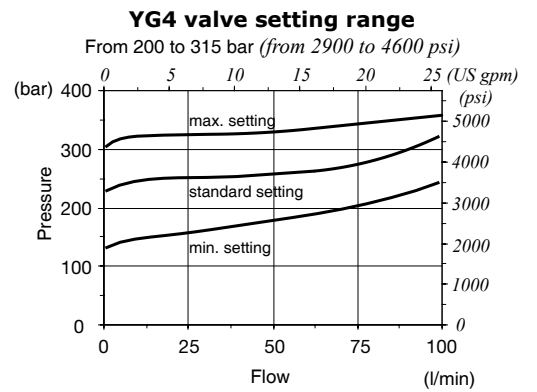
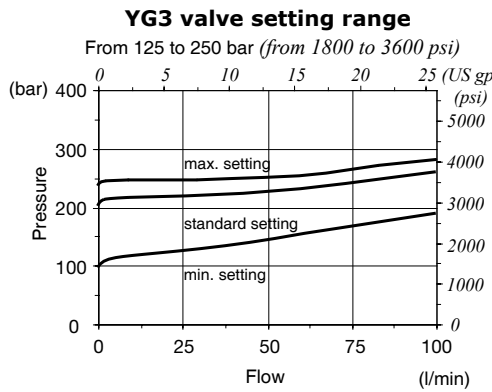
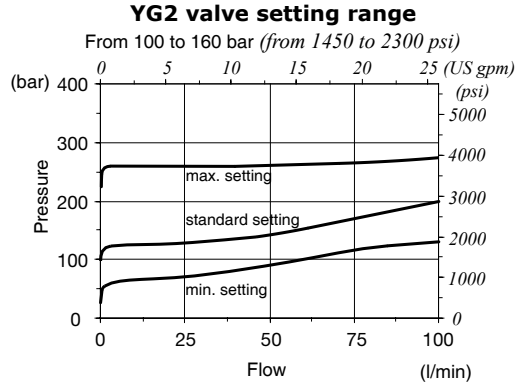
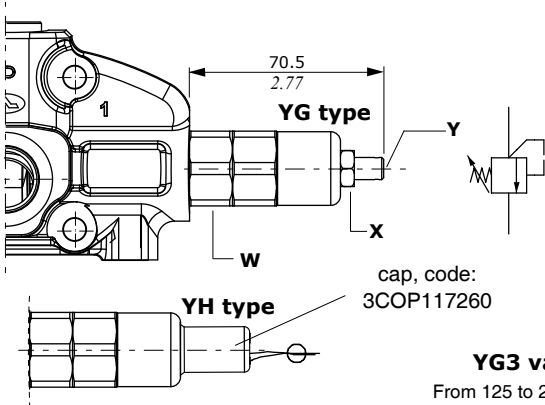
Internal leakage : 3 cm³/min @ 100 bar
(0.18 in³/min @ 1450 psi)

For BER type coil, please see page 61

Inlet relief valve options

Y type direct overpressure relief valve

Configuration type:



Legenda

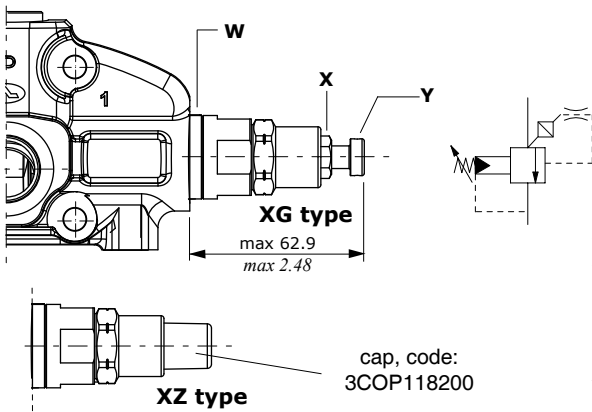
- YG: adjustable with screw
- YH: valve set and locked

Wrenches and tightening torques

- X = wrench 13 - 24 Nm (17.7 lbf_t)
- Y = wrench 4
- W = wrench 27 - 42 Nm (31 lbf_t)

X type, pilot operated pressure relief valve

Configuration type:

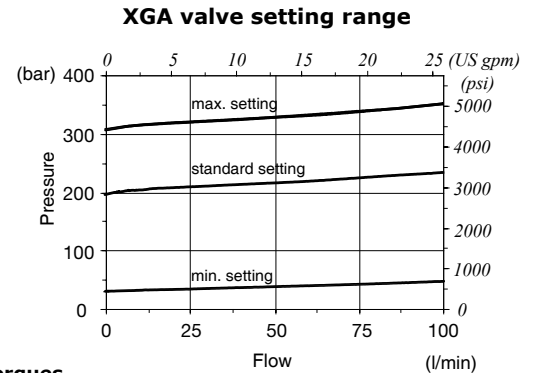


Legenda

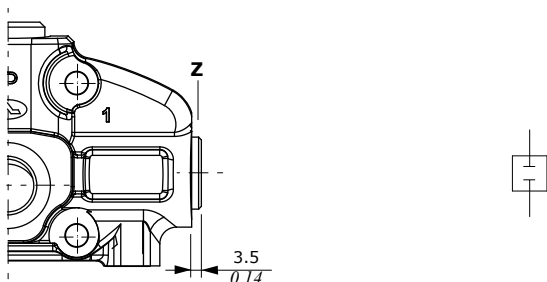
- XG: adjustable with screw
- XZ: valve set and locked with tamper proof cap

Wrenches and tightening torques

- X = wrench 13 - 24 Nm (17.7 lbf_t)
- Y = allen wrench 6
- W = wrench 27 - 42 Nm (31 lbf_t)



SV relief valve blanking plug



Wrenches and tightening torques

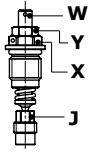
- Z = allen wrench 10 - 24 Nm (17.7 lbf_t)

Inlet relief valve options

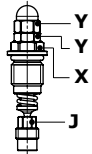
L.S. relief valves

For VP inlet section.

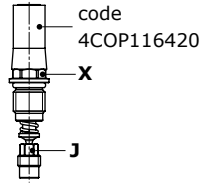
LSH type



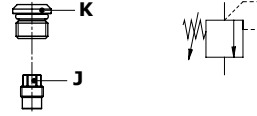
LSD type



LSZ type

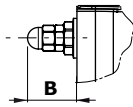


ST type



Wrenches and tightening torques

- X = wrench 13 - 42 Nm (31 lbft)
- Y = wrench 10 - 9.8 Nm (7.2 lbft)
- W = wrench 3
- J = wrench 7 - 24 Nm (17.7 lbft)
- K = wrench 5 - 24 Nm (17.7 lbft)

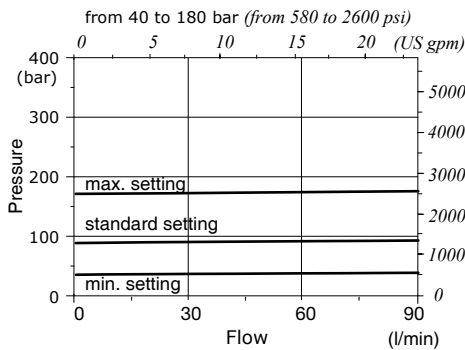


Type	Dim. B mm - in
LSD	21.5 - 0.85
LSH	17 - 0.67
LSZ	34 - 1.34

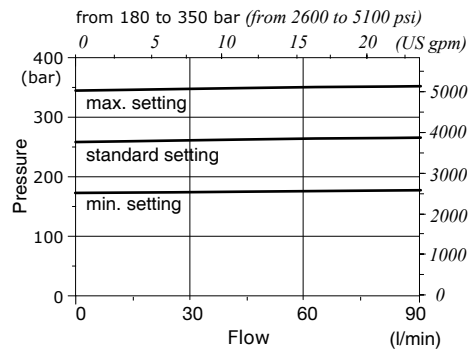
Legenda

- LSH : with screw adjustment
- LSD : with blind nut
- LSZ : with tamper proof cap
- ST : valve blanking plug

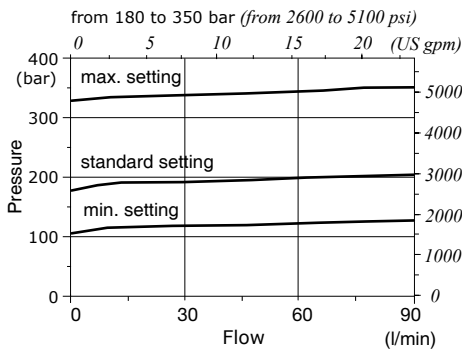
LSH, LSD and LSZ valves setting range



LSH and LSD valves setting range

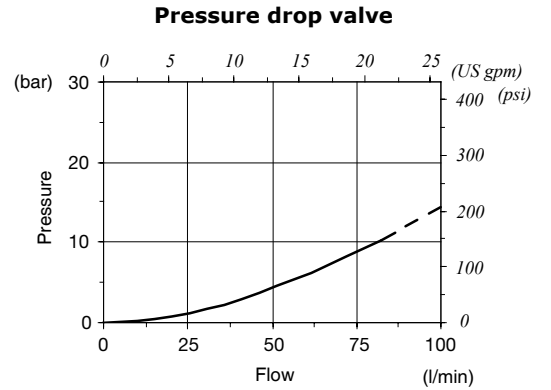
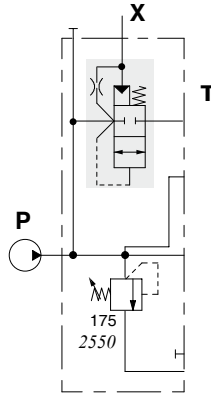
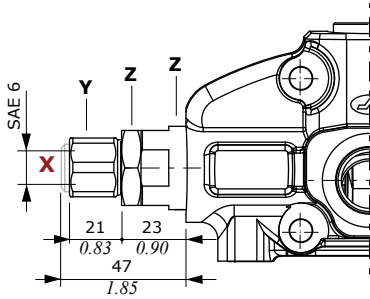


LSZ valve setting range



Unloader valve

Hydraulic operated



Wrenches and tightening torques

Z = wrench 27 - 42 Nm (31 lbft)
 Y = allen wrench 6 - 24 Nm (17.7 lbft)

NOTE - For safety reasons the valve is supplied with blanking plug

Features

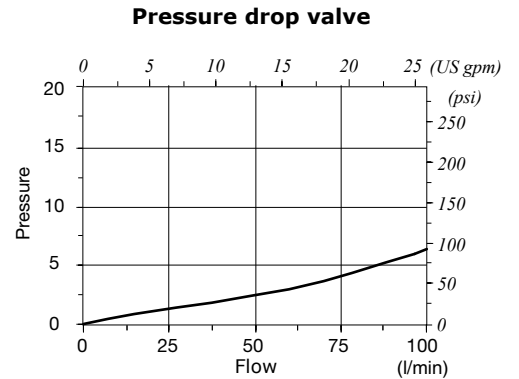
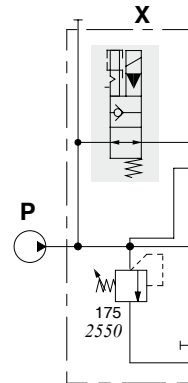
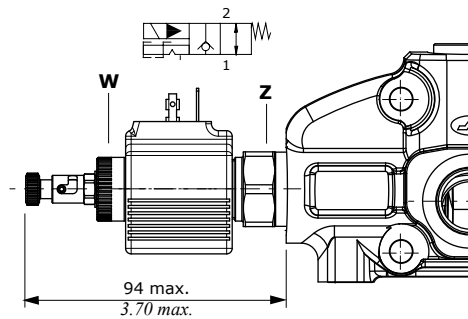
Nominal flow : 90 l/min (24 US gpm)
 Internal leakage... : 18 cm³/min @ 100 bar
 (1.1 in³/min @ 1450 psi)

Solenoid operated

Emergency with push button and spring return; for detent position press and turn the button.

WARNING: the manual override option is intended for emergency use, not for continuous duty operation.

ELTW: "push & twist" type



Wrenches and tightening torques

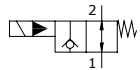
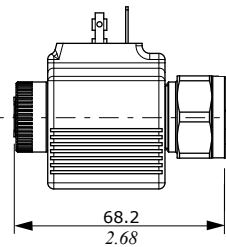
Z = wrench 27 - 42 Nm (31 lbft)
 W = 6.6 Nm (4.9 lbft)

Features

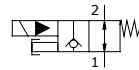
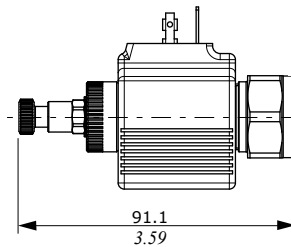
Nominal flow : 100 l/min (26.4 US gpm)
 Max. pressure. : 315 bar (4600 psi)
 Internal leakage... : 1 cm³/min @ 100 bar
 (0.061 in³/min @ 1450 psi)

For **BER** type coil features and options, please see page 61

ELNW: without emergency



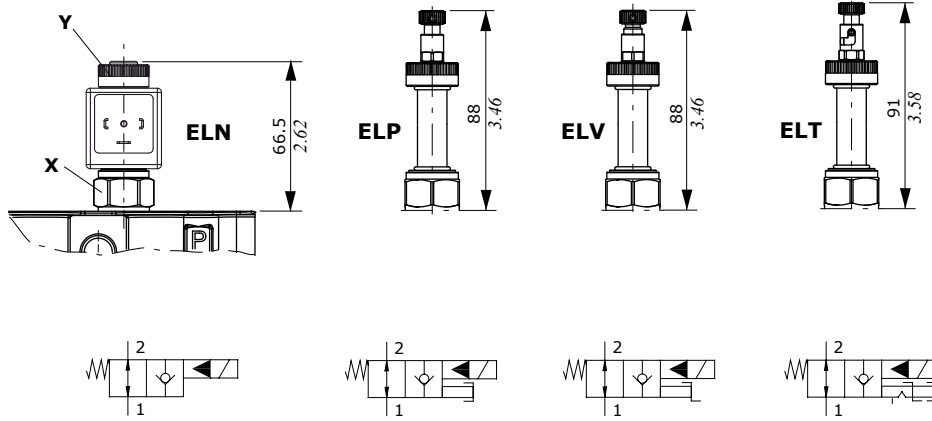
ELPW: push button type



Inlet valve options

Unloader valve

For VP inlet section



Legenda

- ELN:** without emergency
- ELP:** push-button emergency
- ELV:** screw emergency
- ELT:** "push & twist" emergency

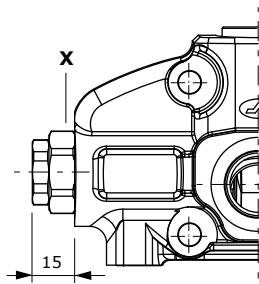
Wrenches and tightening torques

- X = wrench 24 - 30 Nm (22 lbf^t)
- Y = manual tightening

Features

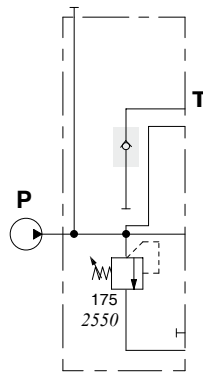
- Nominal flow : 40 l/min (10.6 US gpm)
- Max. pressure : 350 bar (5100 psi)
- Internal leakage . . . : 0.10 cm³/min @ 210 bar
(0.006 in³/min @ 1450 psi)
- For **BER** type coil, please see page 61

F anti-cavitation valve

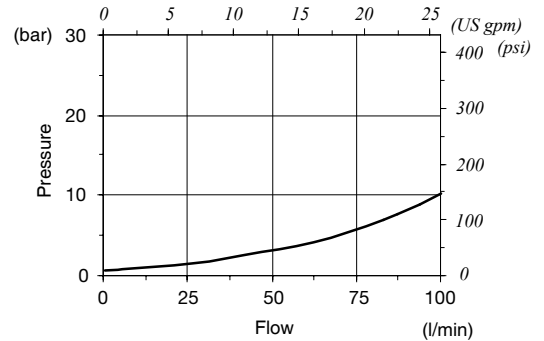


Wrenches and tightening torques

- X = wrench 27 - 42 Nm (31 lbf^t)



Pressure drop from T to P

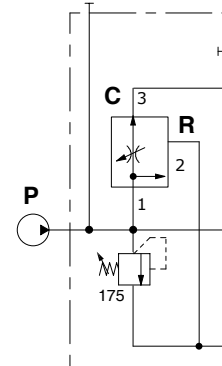
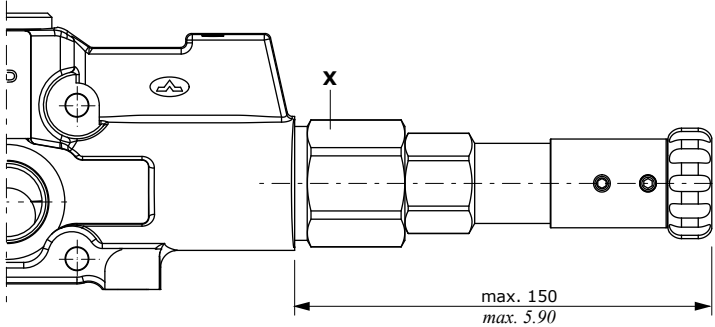


Features

- Nominal flow : 90 l/min (23.77 US gpm)
- Internal leakage : 2 cm³/min @ 100 bar
(0.122 in³/min @ 1450 psi)

Flow control valve

For S inlet section.



Wrenches and tightening torques

X = wrench 41 - 100 Nm (73.7 lbft)

Features

Max. pressure : 350 bar (5100 psi)

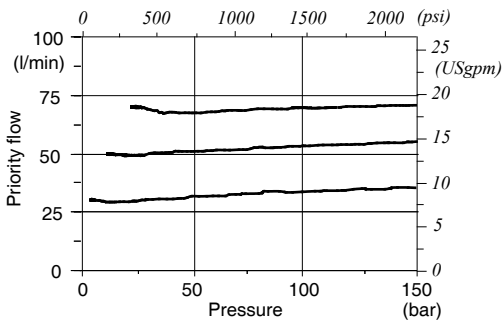
Nominal flow

On port 1 : 110 l/min (29 US gpm)

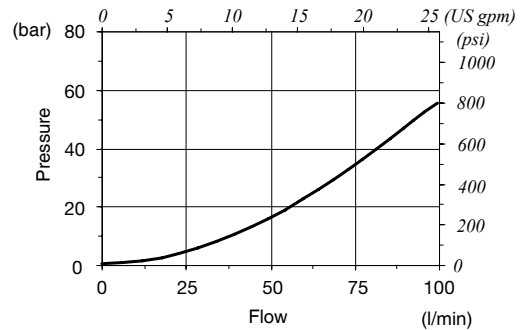
On port 3 : 150 l/min (39.6 US gpm)

Pressure-flow diagram

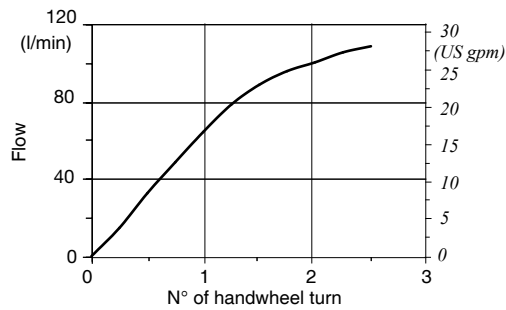
$Q_{in} = 110 \text{ l/min (29 US gpm)}$



Pressure drop



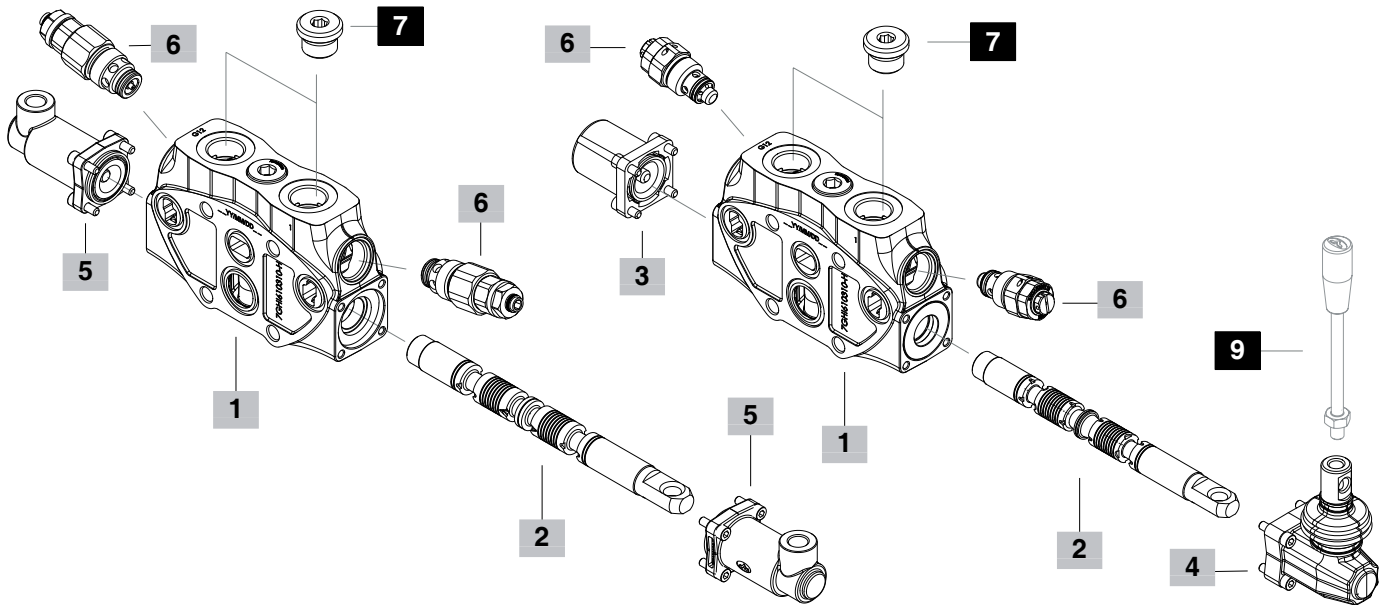
Flow regulation diagram



Part ordering codes

EL SD8 / (P) - 1 8 L . P3 (G3 - 100) -
 1 2 3 4 6 valve setting (bar) 8
 P type omitted in description
 1 - on A port
 2 - on B port
 3 - on A and B ports

EL SD8 / (P) - 1M 8IM . U1 (G3 - 100) -
 1 2 5 6 valve setting (bar) 8
 P type omitted in description
 1 - on A port
 2 - on B port
 3 - on A and B ports



1 Working section kit * page 24

TYPE	CODE	DESCRIPTION
For mechanical control		
P	5EL1087000	For parallel circuit (omitted in description)
SP	5EL3087010	For series-parallel (tandem) circuit
Q	5EL1087010	For parallel circuit without arrangement for port valves
SPQ	5EL3087020	For series-parallel (tandem) circuit without arrangement for port valves
P5	5EL1087200	As P type: for 5B spool with floating circuit (P omitted in description)
P5(14A)	5EL1087201	As P type: for 5(14A) spool with floating circuit (P omitted in description)
For proportional hydraulic circuit		
P/IM	5EL108700A	For parallel circuit (omitted in description)
SP/IM	5EL3087900	For series-parallel (tandem) circuit
Q/IM	5EL1088010A	For parallel circuit without arrangement for port valves

2 Spools page 25

TYPE	CODE	DESCRIPTION
1	3CU2310100	Double acting, 3 positions, with A and B closed in neutral position
1CEX	3CU2310230	As type 1, with fine metering
1CSG	3CU2310250	As type 1, with metering suggested for flow up to 70 l/min (18.5 US gpm)
1M	3CU2310130	As type 1 with metering suggested for flow rates above to 70 l/min (18.5 US gpm)
1S	3CU2311102	As type 1, for series circuit
1A	3CU2321100	Double acting, 3 positions, with A open to tank in neutral position

2 Spools (continue) page 25

TYPE	CODE	DESCRIPTION
1B	3CU2322100	Double acting, 3 positions, with B open to tank in neutral position
2	3CU2325100	Double acting, with A and B open to tank in neutral position
2CEX	3CU2325230	As type 2, with fine metering
2CSG	3CU2325255	As type 2, with metering suggested for flow up to 70 l/min (18.5 US gpm)
2H	3CU2325225	Double acting, with A and B partially open to tank in neutral position
2S	3CU2327100	As type 2, for series circuit
3	3CU2331110	Single acting on A, 3 positions, B plugged, SAE8 plug is required
4	3CU2335100	Single acting on B, 3 positions, A plugged, SAE8 plug is required
4M	3CU2335110	As type 4 with metering suggested for flow rates above to 70 l/min (18.5 US gpm), SAE8 plug is required

Spools for dedicated controls

5B	3CU2343100	Double acting, 4 positions, float in position 3 with spool out, 13C type positioner kit is required
5(14A)	3CU2345101	Double acting, 4 positions, float in position 3 with spool in, 14A type positioner kit is required
8F	3CU2361100	Double acting, 3 positions, regenerative in position 1, 8CR type positioner kit is required

NOTE (*) - Codes are referred to **UN-UNF** thread.

Part ordering codes

3 "A" side spool positioners page 27

TYPE	CODE	DESCRIPTION
7FT	5V07208100	With friction and neutral position sensor
8	5V08108010	With spring return in neutral position
8NA	5V08108001	As type 8, with steel cap
8WP	5V08108011	As type 8, with water proof type
8MA	5V08108240	As type 8, type A lighter spring
8MC	5V08208000	As type 8, type C heavier spring
8MD	5V08408000	As type 8, type D heavier spring
8D	5V08108202	As type 8, M8 female threaded pin extension for dual control
8D1	5V08108210	As type 8, pin with \varnothing 8 mm (0.31 in) radial hole
8D2	5V08108220	As type 8, M8 male threaded pin extension for dual control
8TL	5V08108310	As type 8 with pin control with flexible cable
8TLWP	5V08108320	As type 8, water proof type
8ED3	5V08108360	ON-OFF 12VDC electro-hydraulic kit
	5V08108361	ON-OFF 24VDC electro-hydraulic kit
8EPG3	5V08108737	ON-OFF 12VDC electro-pneumatic kit
	5V08108742	ON-OFF 24VDC electro-pneumatic kit
8IJ1	5V08108874(*)	With external hydraulic pilot to return from position 1 to neutral
8IJ2	5V08108864(*)	With external hydraulic pilot to return from position 2 to neutral
8IJ3	5V08108854(*)	With external hydraulic pilot to return from positions 1 and 2 to neutral
8IZ	5V08108811(*)	Proportional hydraulic control
8PG	5V08108708	ON-OFF pneumatic kit
8MG3	5V08108150	As type 8 with microswitch in position 1 and 2 (for other configuration, please see page 29)
8MG39	5V08108101	As type 8 with double microswitch in position 1 and 2 (for other configuration, please see page 30)
8SPSL-4.5(A)-0.5(B)	5V08108101	As type 8 with analog sensor for spool position
8SPSD	5V08108---	As type 8 with digital sensor for spool position
9B	5V09108040	With detent in position 1 and spring return in neutral position
9BWP	5V09108041	As 9B type, waterproof type
10B	5V10108040	With detent in position 2 and spring return in neutral position
11	5V11108000	With detent in position 1, neutral and 2
11B	5V11108040	With detent in position 1, 2 and spring return in neutral position
11WP	5V11108001	Waterproof type
15	5V15108000	2 positions, detent in pos. 1 and neutral
16	5V16108010	2 positions, detent in pos. 2 and neutral
19	5V19108000	2 positions, with spring return in neutral position from position 1
20	5V19108000	2 positions, with spring return in neutral position from position 2
Controls for dedicated spools		
8CR	5V08108022	3 positions with spring return in neutral and reduced spool stroke: for 8F spool
13C	5V13208020	4 positions with spring return in neutral position and detent in pos.3: for spool 5B
14A	5V14108000	Detent in positions 1, 2 and 3, kick-out in position 0: for 5(14A) spool

4 "B" side options page 386

TYPE	CODE	DESCRIPTION
L	5LEV108000	Standard lever box
LSG	5LEV108000S	Lever box, waterproof type
LF3	5LEV108710	Lever box with spool stroke limiter
LB	5LEV308000	Steel lever kit
SLP	5COP108000	Without lever box, with dust-proof plate
SLCY	5COP208060	Without lever box, with endcap
LCB	5CLO208000	Joystick lever for 2 section operation
LCE	5CLO208050	As previous one with bronze support
TQ	5TEL108110	Flexible cable connection

5 Complete controls * page 41

TYPE	CODE	DESCRIPTION
8IM	5IDR208700	Proportional hydraulic control
8IMF3	5IDR208730	Proportional hydraulic control with stroke limiter

6 Port valves page 42

Standard setting is referred to 10 l/min (2.6 US gpm)

TYPE	CODE	DESCRIPTION
-	3XTAP524290	Valve blanking plug (omitted in description)
C	XCAR408110	Anti-cavitation valve
DST	3XTAP624180	Valve blanking plug with connection to tank
Anti-shock valve		
P(G2)	3XCAR208112	Range 55-140 bar (790-2050 psi) standard setting 60 bar (870 psi)
P(G3)	3XCAR208113	Range 63-220 bar (900-3200 psi) standard setting 100 bar (1450 psi)
P(G4)	3XCAR208114	Range 180-350 bar (2600-5100 psi) standard setting 200 bar (2900 psi)
Anti-shock and anti-cavitation valve		
U(G2)	XCAR308112	Range 63-125 bar (900-1800 psi) standard setting 63 bar (900 psi)
U(G3)	XCAR308115	Range 100-250 bar (1450-3600 psi) standard setting 100 bar (1450 psi)
U(G4)	XCAR308114	Range 200-315 bar (2900-4600 psi) standard setting 200 bar (2900 psi)
Pilot operated anti-shock and anti-cavitation valve		
UXW(G-200)	X005421200	Range 30-315 bar (435-4600 psi) standard setting 200 bar (2900 psi)

7 Port plugs*

CODE	DESCRIPTION
3XTAP822150	SAE8 plug for single acting spool

8 Section threading

Specify only if it is different from BSP standard (see page 4)

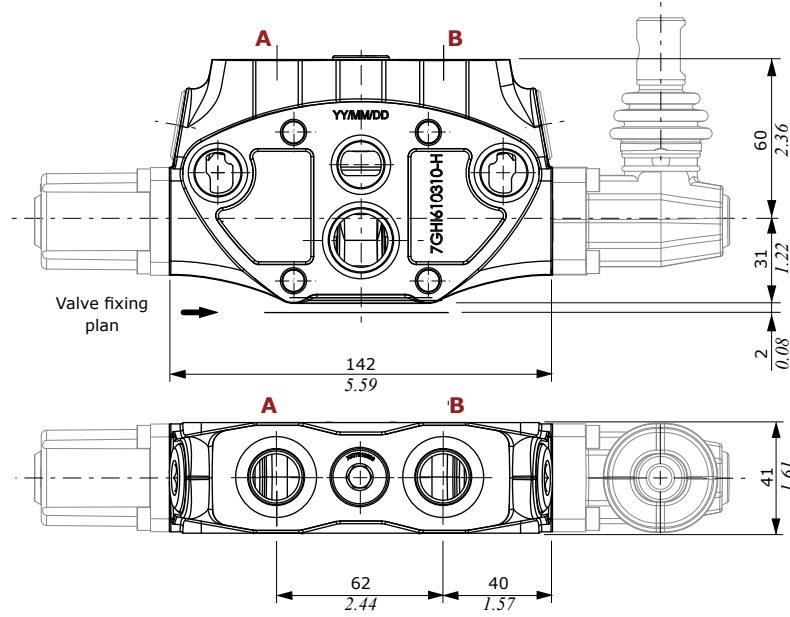
9 Optional handlevers

TYPE	CODE	DESCRIPTION
AL01/M10x200	170012020	For L, lever box, 200 mm (7.87 in)
AL08/M12x200	170013120	For LCB joystick, 200 mm (7.87 in)
For handlevers features, please see dedicated catalogue cod.		
D1WWEH01E		

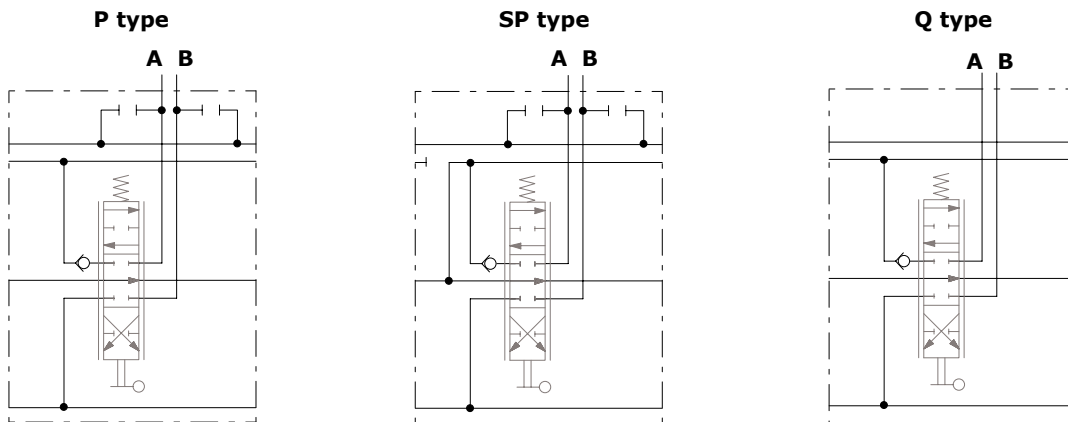
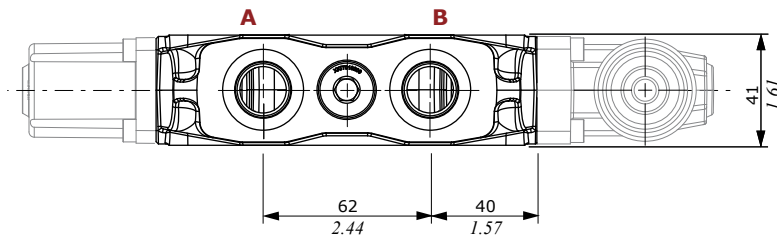
NOTE (*) - Codes are referred to **UN-UNF** thread.

Dimensional data and hydraulic circuit

P type
With port valve arrangement
(Dimensions are the same as P/SP/Q)

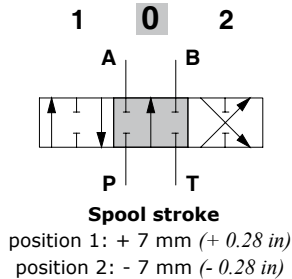


Q type
Without port valve arrangement



1 (1CEX/1CSG/1M) type spool

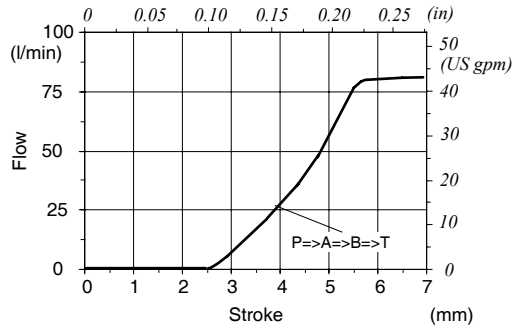
Double acting, 3 positions, with A and B closed in neutral position



1 type spool metering

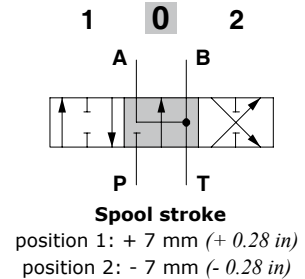
$Q_{in} = 80 \text{ l/min (42 US gpm)}$

$P_{(on ports)} = 100 \text{ bar (1450 psi)}$



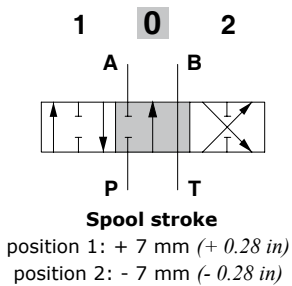
2 (2CEX/2CSG) type spool

Double acting, 3 positions, with A and B open to tank in neutral position



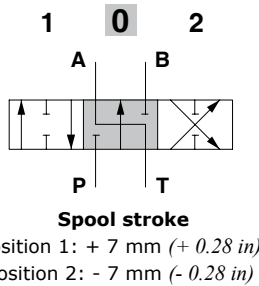
1B type spool

Double acting, 3 positions, with B open to tank in neutral position



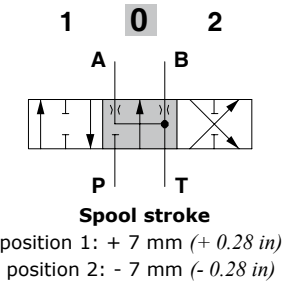
1A type spool

Double acting, 3 positions, with A open to tank in neutral position



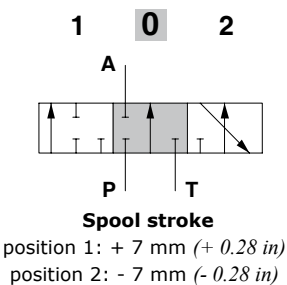
2H type spool

Double acting, 3 positions, with A and B partially open to tank in neutral position



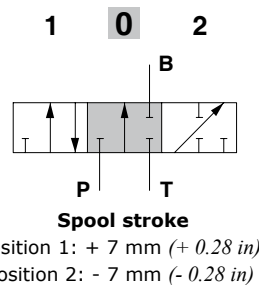
3 type spool

Single acting on A, 3 positions, B plugged, SAE8 plug is required



4 (4M) type spool

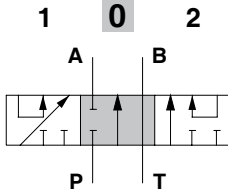
Single acting on B, 3 positions, A plugged, SAE8 plug is required



Spools

1S type spool

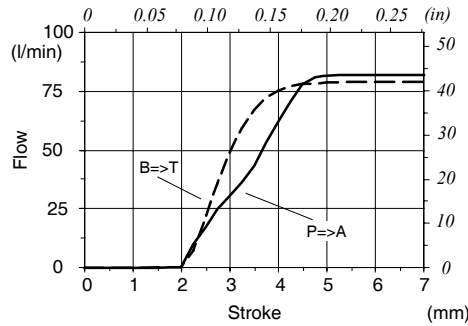
Double acting, 3 positions, with A and B closed in neutral position, for series circuit



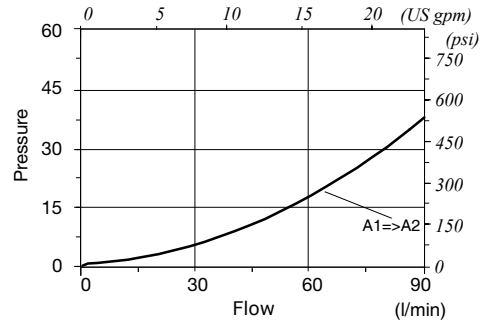
Spool stroke
 position 1: + 7 mm (+ 0.28 in)
 position 2: - 7 mm (- 0.28 in)

1S type spool metering

$Q_{in} = 80 \text{ l/min (42 US gpm)}$
 $P_{(on ports)} = 100 \text{ bar (1450 psi)}$

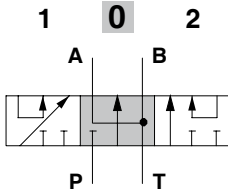


Pressure drop on series connection



2S type spool

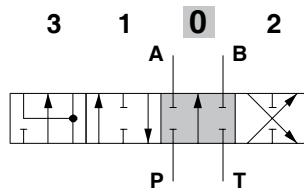
Double acting, 3 positions, with A and B connected to tank in neutral position, for series circuit



Spool stroke
 position 1: + 7 mm (+ 0.28 in)
 position 2: - 7 mm (- 0.28 in)

5B type spool

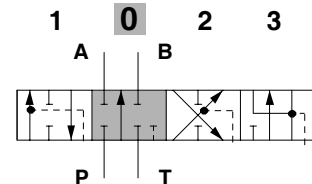
Double acting, with A and B closed in neutral position, 4 positions, floating in position 3, with spool out



Spool stroke
 position 1: + 5.5 mm (+ 0.22 in)
 position 2: - 5.5 mm (- 0.22 in)
 position 3: + 10.5 mm (+ 0.41 in)

5(14A) type spool

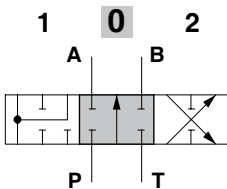
Double acting, with A and B closed in neutral position, 4 positions, floating in position 3, with spool in (lever pull with kick-out)



Spool stroke
 position 1: + 5.5 mm (+ 0.22 in)
 position 2: - 5.5 mm (- 0.22 in)
 position 3: - 11 mm (+ 0.43 in)

8F type spool

Double acting, 3 positions, regenerative circuit in 2nd position (pos.1)

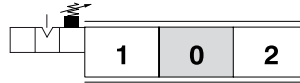
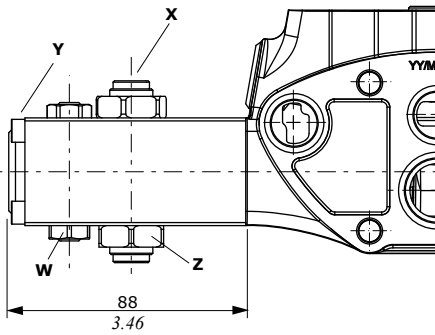


Spool stroke
 position 1: + 5.7 mm (+ 0.23 in)
 position 2: - 5.7 mm (- 0.23 in)

"A" side spool positioners

7FT type with friction

With neutral position notch.



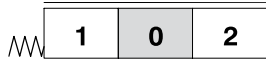
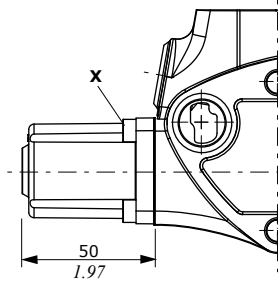
Wrenches and tightening torques

- X = allen wrench 4
- Y = allen wrench 4 - 6.6 Nm (4.9 lbft)
- W = wrench 15 - 9.8 Nm (7.2 lbft)
- Z = wrench 24 - Manual tightening

With spring return

8 - 8MA - 8MC - 8MD - 8WP type

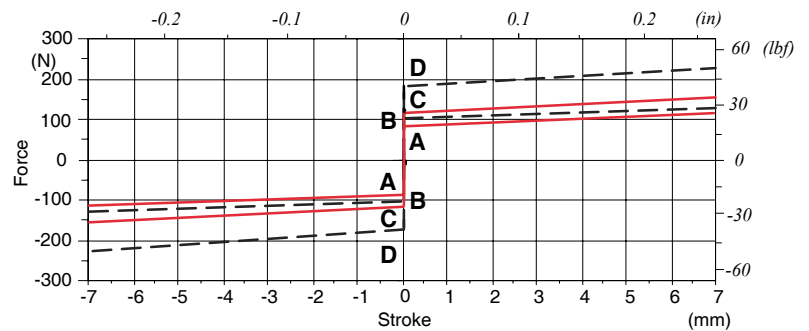
It is supplied with B type standard spring (see force-stroke diagram) and it is available with A type (8MA) lighter spring or with C-D type (8MC-8MD) heavier spring. 8WP waterproof type is available.



Wrenches and tightening torques

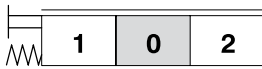
- X = allen wrench 4
- 6.6 Nm (4.9 lbft)

Force-stroke diagram



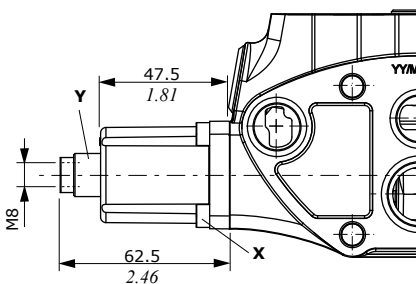
8D type

With M8 female threaded pin extension for dual control.



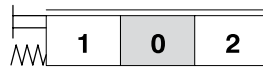
Wrenches and tightening torques

- X = allen wrench 4 - 6.6 Nm (4.9 lbft)
- Y = wrench 13 - 24 Nm (17.7 lbft)



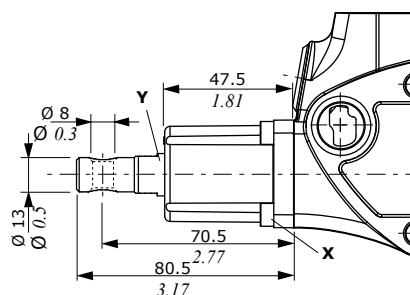
8D1 type

With Ø 8 hollow pin extension.



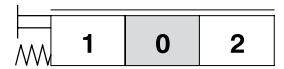
Wrenches and tightening torques

- X = allen wrench 4 - 6.6 Nm (4.9 lbft)
- Y = wrench 14 - 24 Nm (17.7 lbft)



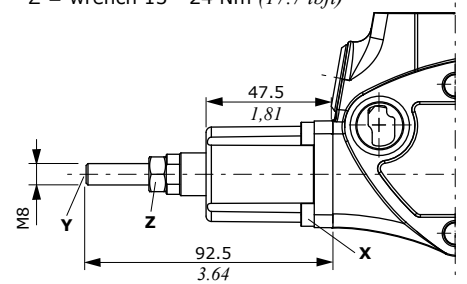
8D2 type

With M8 male threaded pin extension for dual control.



Wrenches and tightening torques

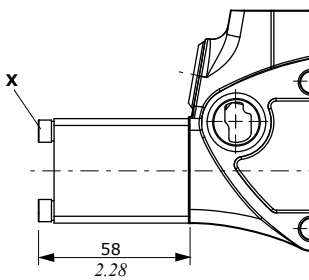
- X = allen wrench 4 - 6.6 Nm (4.9 lbft)
- Y = wrench 4 - 24 Nm (17.7 lbft)
- Z = wrench 13 - 24 Nm (17.7 lbft)



"A" side spool positioners

8NA type with spring return

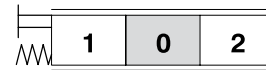
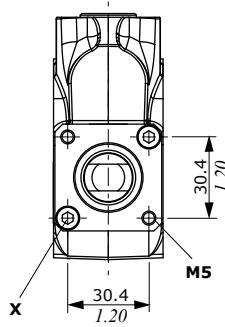
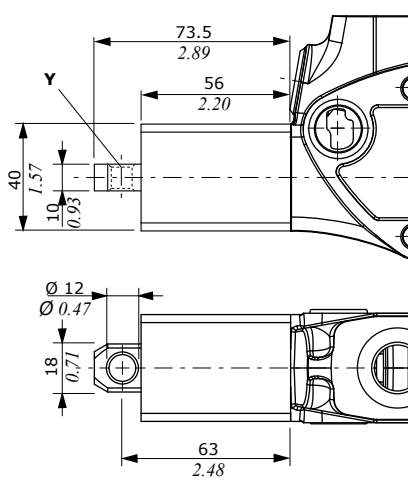
With steel cap, B type standard spring (see force-stroke diagram on page 27)



Wrenches and tightening torques
 X = allen wrench 4 - 6.6 Nm (4.9 lbf_t)

8TL - 8TLWP type with spring return

As 8 type with pin control with flexible cable. 8TLWP waterproof type is available.



Wrenches and tightening torques
 X = allen wrench 4 - 6.6 Nm (4.9 lbf_t)
 Y = wrench 10 - 24 Nm (17.7 lbf_t)

With detent and spring return to neutral position from either directions

9BWP waterproof type is available.

9B - 9BWP type

detent in position 1 (A curve)



10B type

detent in position 2 (B curve)

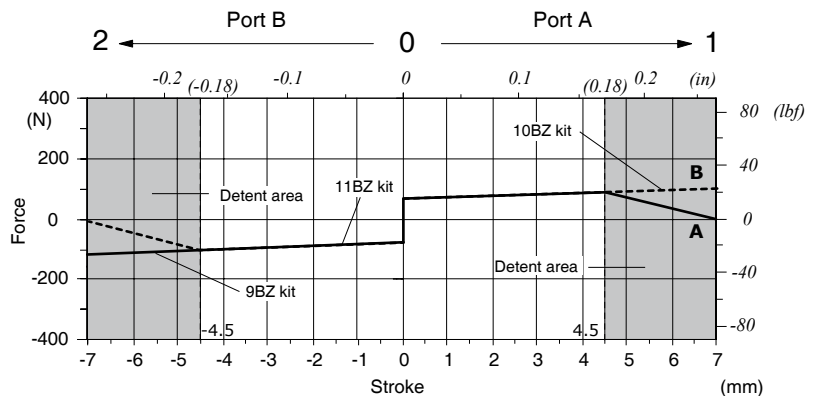


11B type

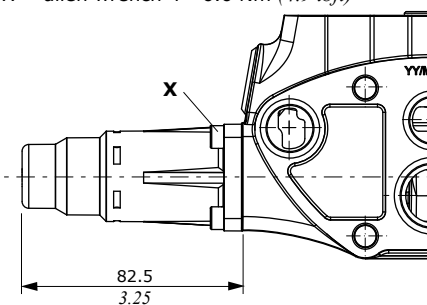
detent in position 1 and 2 (A and B curves)



Force-stroke diagram
 (for the controls shown)



Wrenches and tightening torques
 X = allen wrench 4 - 6.6 Nm (4.9 lbf_t)

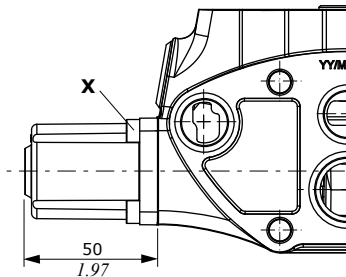


Position 1 - Detent force: 130 N ± 10% (29.2 lbf) / Release force: 215 N (48.3 lbf) ± 10%
Position 2 - Detent force: 145 N (32.6 lbf) ± 10% / Release force: 300 N (67.4 lbf) ± 10%

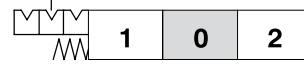
"A" side spool positioners

3 positions with detent 11 type

11WP waterproof type is available.



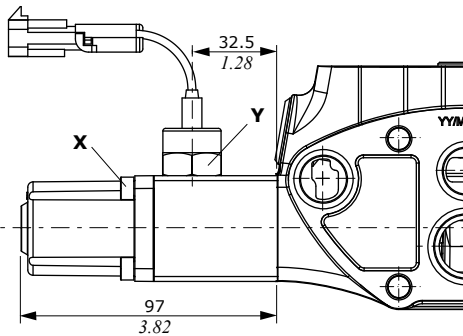
Wrenches and tightening torques
X = allen wrench 4 - 6.6 Nm (4.9 lbf_t)



With microswitch for spool check position

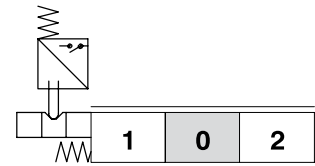
With spring return in neutral position and microswitch operated in both directions.

Also **8MG1(NO)** configuration (microswitch operated in pos. 1) and **8MG2(NO)** configuration (microswitch operated in pos. 2) are also available; dimensions are the same as **8MG3. (NC)** configurations are available.

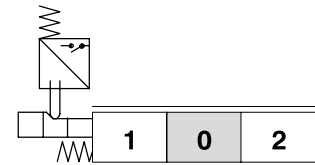


Wrenches and tightening torques
X = allen wrench 4 - 6.6 Nm (4.9 lbf_t)
Y = wrench 22 - 24 Nm (17.7 lbf_t)

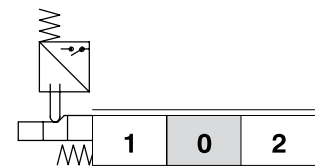
8MG3(NO) type
microswitch operated in pos. 1 and 2



8MG1(NO) type
microswitch operated in pos. 1



8MG2(NO) type
microswitch operated in pos. 2



Control codes

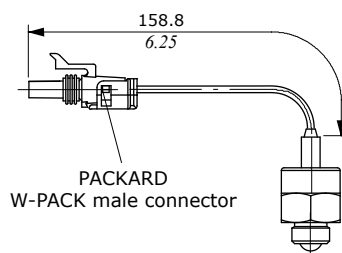
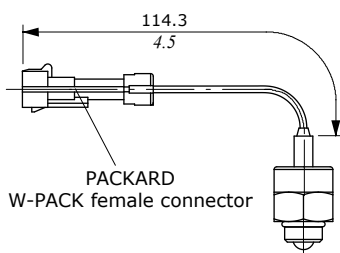
Microswitch operations

Circuit	position 1	position 2	position 1-2	Connector
	8MG1	8MG2	8MG3	
(NO)	5V08108160	5V08108170	5V08108150	5CON001
(NC)	5V08108162	5V08108172	5V08108152	5CON005

Microswitch ordering codes

NO microswitch kit
code: **4MIC734**

NC microswitch kit
code: **4MIC744**

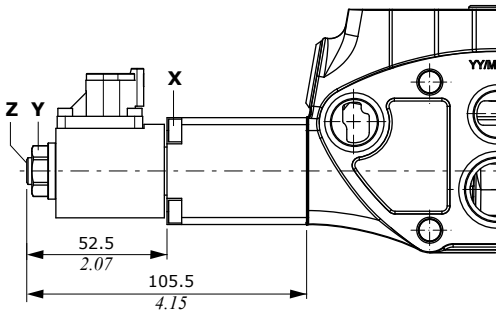


Microswitch features

- Mechanical life : 10⁶ operations
- Electrical life (resistive load) .. : 10⁵ operations - 7A / 13.5 VDC
: 5x10⁴ operations - 10A / 12 VDC
: 5x10⁴ operations - 3A / 28 VDC
- Connector : Packard Weather-pack mating connector not included

"A" side spool positioner

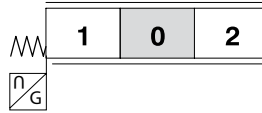
With spool position sensor



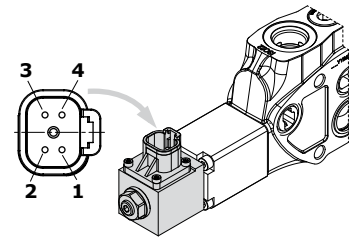
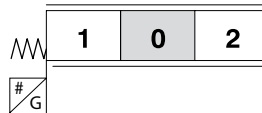
Wrenches and tightening torques

- X = allen wrench 4 - 6.6 Nm (4.9 lbft)
- Y = wrench 17 - 9.8 Nm (7.2 lbft)
- Z = allen wrench 4 - 9.8 Nm (7.2 lbft)

8SPSL type
with analog spool position sensor



8SPSD type
with digital spool position sensor



Deutsch DT04-4P connector		
Pin	Funzione SPSL	Funzione SPSPD
1	+ 5V	Out A
2	not connected	GND
3	GND	VB +
4	signal OUT	Out B

Deutsch DT06-4S mating connector, code 5CON140072

SPSL sensor

The SPSL position sensor converts the spool movements into a voltage linear signal.

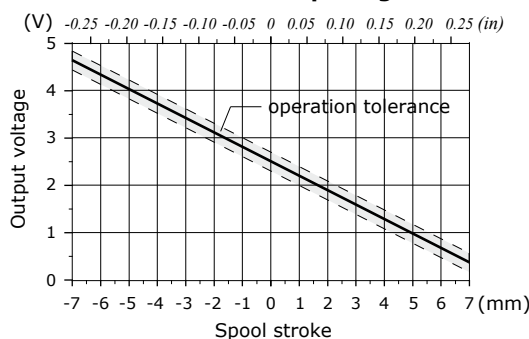
Working conditions		
Voltage supply	5 VDC	
Current absorption	< 10 mA (no load)	
Mechanical life	3x10 ⁶	
Connector type	DT04-4P Deutsch	
Weather protection	IP67 / IP69K	
Working temperature	from -40°C to 105°C (from -40°F to 221°F)	
Working pressure	350 bar (5100 psi)	
Max. electrical stroke	±10 mm (±0.39 in)	
Max. mechanical stroke	±10 mm (±0.39 in)	
Output signal	range	from 0.5 to 4.5 V
	linearity	± 5%
	spool in neutral	2.5 ± 0.2 V
	max. current	1 mA
EMC compatibility	ISO 13766 / ISO 14982	
Mechanical vibrations, shock, bumps	IEC 68-2-6,-27,-29	

SPSPD sensor

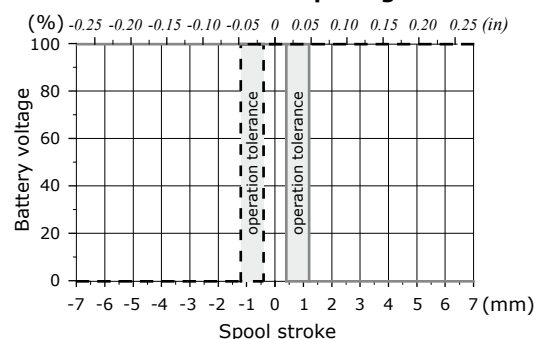
The SPSPD position sensor converts the spool movements into an electric digital signal.

Working conditions		
Voltage supply	from 9 to 32 VDC	
Current absorption	< 10 mA (no load)	
Mechanical life	3x10 ⁶	
Connector type	DT04-4P Deutsch	
Weather protection	IP67 / IP69K	
Working temperature	from -40°C to 105°C (from -40°F to 221°F)	
Working pressure	350 bar (5100 psi)	
Max. electrical stroke	±10 mm (±0.39 in)	
Max. mechanical stroke	±10 mm (±0.39 in)	
Output signal	type	PNP
	max. current	6 mA
EMC compatibility	ISO 13766 / ISO 14982	
Mechanical vibrations, shock, bumps	IEC 68-2-6,-27,-29	

SPSL sensor output signal

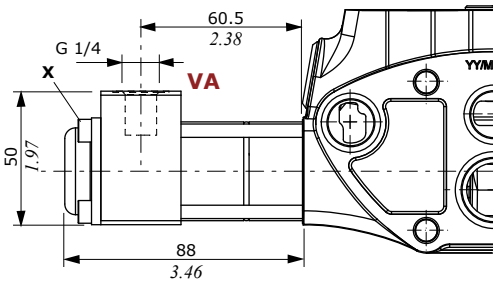


SPSPD sensor output signal

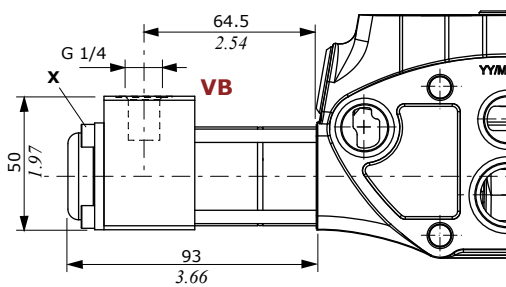
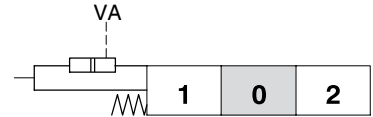


"A" side spool positioners

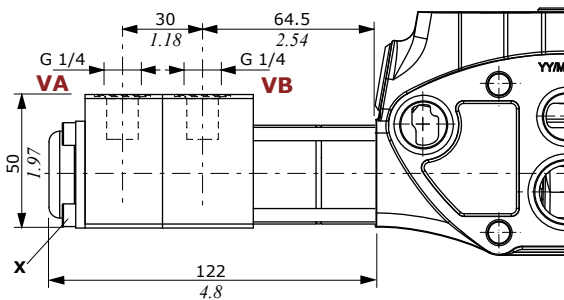
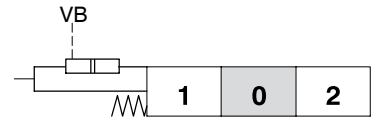
3 positions with external hydraulic pilot



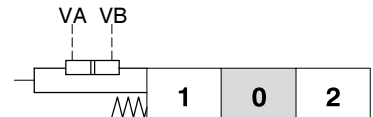
81J1 type
With external hydraulic pilot to return from position 1 to neutral



81J2 type
With external hydraulic pilot to return from position 2 to neutral.



81J3 type
With external hydraulic pilot to return from positions 1 and 2 to neutral



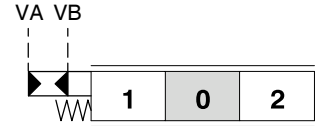
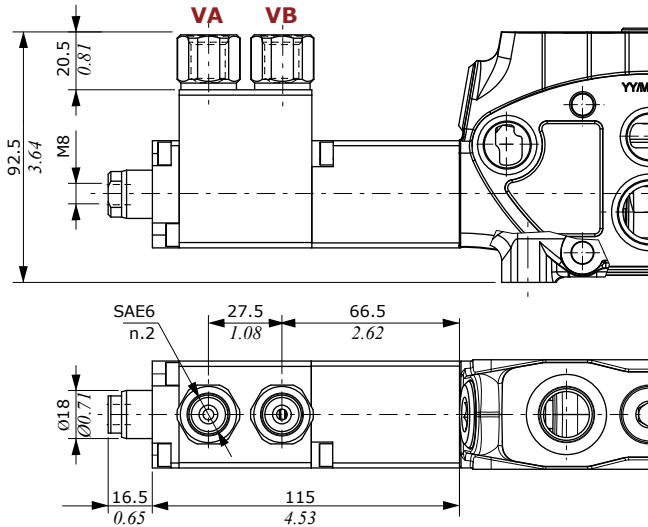
Wrenches and tightening torques
X = allen wrench 4 - 6.6 Nm (4.9 lbf_t)

Features

Pilot pressure..... : min. 50 bar (725 psi)
: max. 315 bar (4600 psi)

"A" side spool positioner

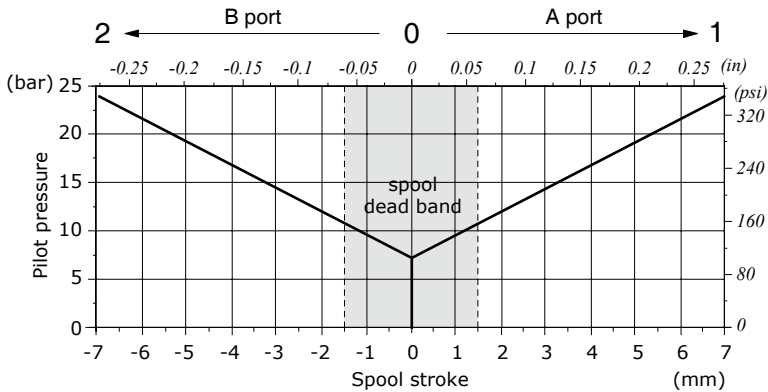
3 positions with external hydraulic pilot



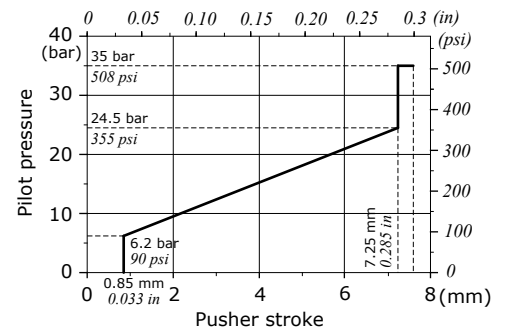
Features

Pilot pressure : max. 100 bar (1450 psi)

Pressure - stroke diagram



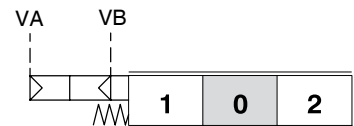
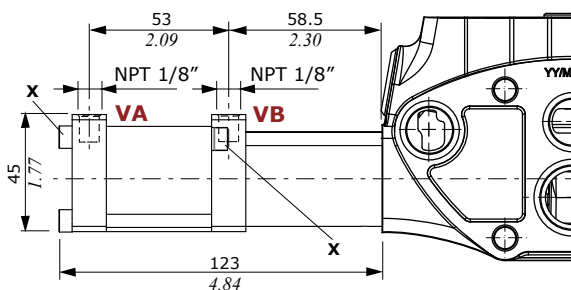
Control curve with step on VA and VB port: type 054



8PG type ON/OFF pneumatic kit

Wrenches and tightening torques

X = allen wrench 4 - 6.6 Nm (4.9 lbft)

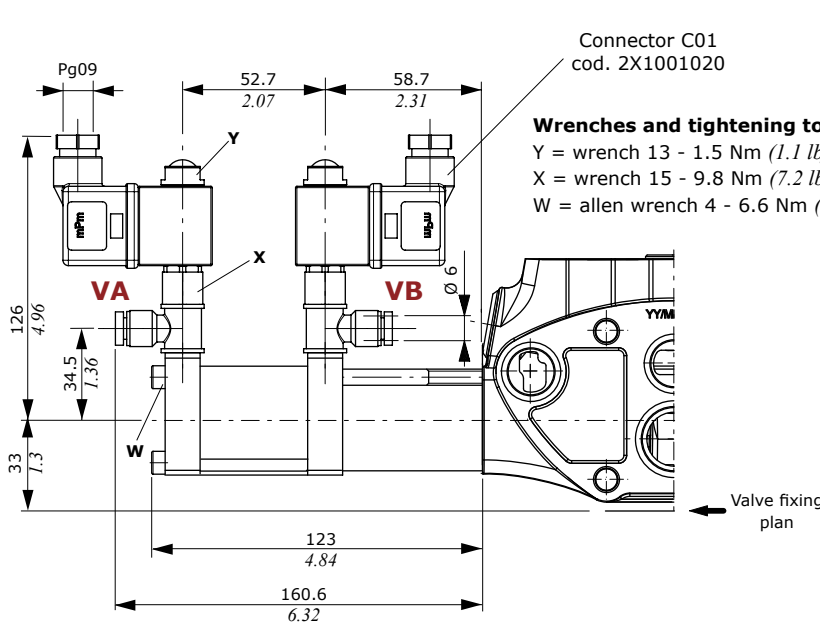


Features

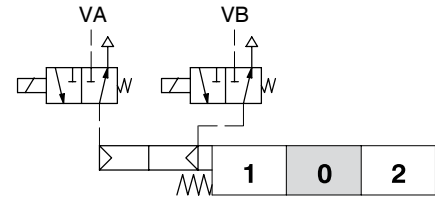
Pilot pressure..... : min. 6 bar (87 psi)
: max. 12 bar (174 psi)

"A" side spool positioners

8EPG3 type ON/OFF electro-pneumatic kit



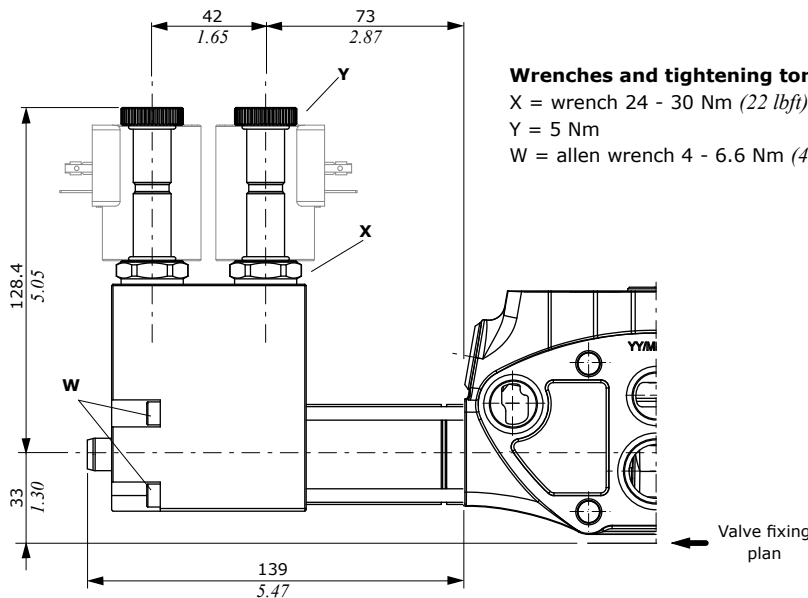
Wrenches and tightening torques
 Y = wrench 13 - 1.5 Nm (1.1 lbft)
 X = wrench 15 - 9.8 Nm (7.2 lbft)
 W = allen wrench 4 - 6.6 Nm (4.9 lbft)



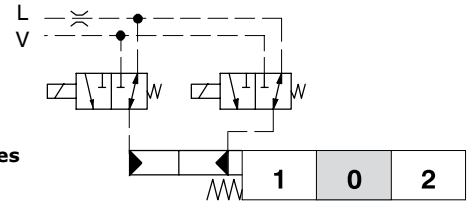
Features

Pilot pressure..... : min. 6 bar (87 psi)
 : max. 12 bar (174 psi)
 For BPV coil, please see page 61

8ED3 type ON/OFF electro-hydraulic control



Wrenches and tightening torques
 X = wrench 24 - 30 Nm (22 lbft)
 Y = 5 Nm
 W = allen wrench 4 - 6.6 Nm (4.9 lbft)



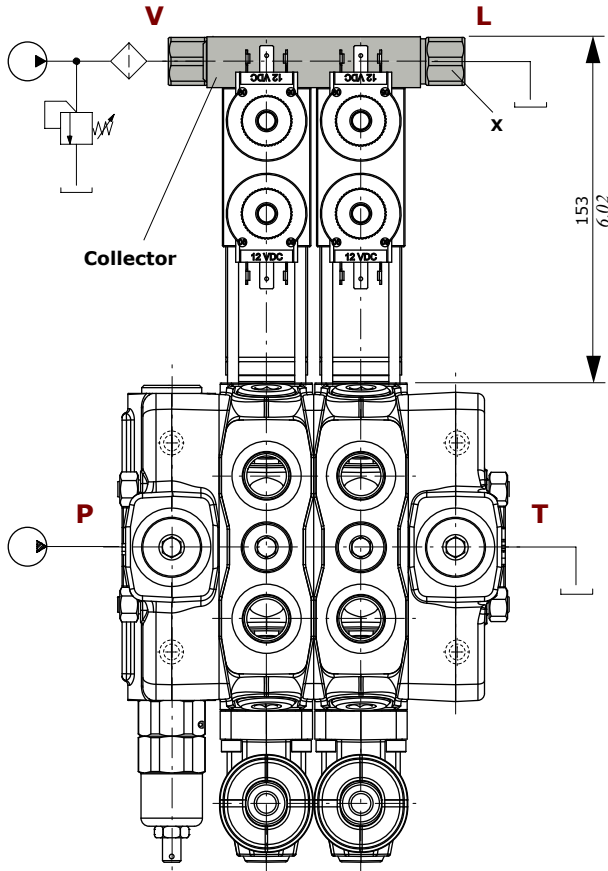
Features

Pilot pressure..... : min. 10 bar (145 psi)
 : max. 50 bar (725 psi)
 Max backpressure
 on L drain..... : 25 bar (360 psi)
 for BT type coil and mating connectors, please see page 61

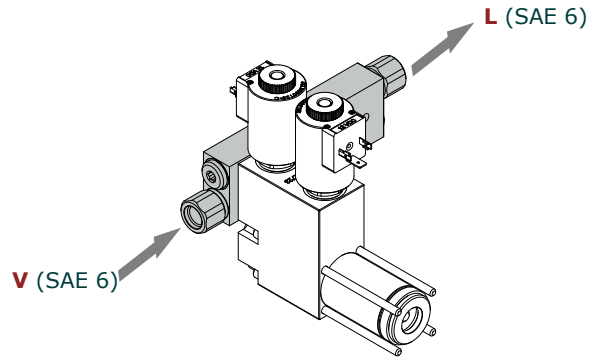
"A" side spool positioners

8ED3 type ON/OFF electro-hydraulic control

Collector kit for external pilot and drain

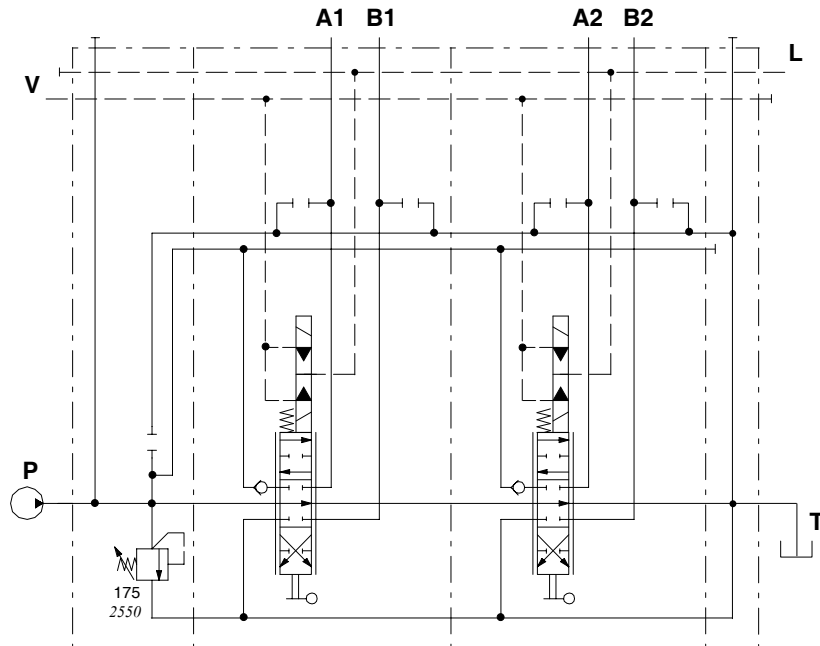


Wrenches and tightening torques
 X = allen wrench 22 - 24 Nm (17.7 lbf)



COLLECTOR KIT CODE		
Type	Code *	Description
KE1S0	5KE1S00070	Kit for 1 sections
KE2S0	5KE2S01370	Kit for 2 sections
KE3S0	5KE3S01370	Kit for 3 sections
KE4S0	5KE4S01370	Kit for 4 sections
KE5S0	5KE5S01370	Kit for 5 sections
KE6S0	5KE6S01370	Kit for 6 sections
KE7S0	5KE7S01370	Kit for 7 sections

NOTE (*) - Codes are referred to **UN-UNF** thread



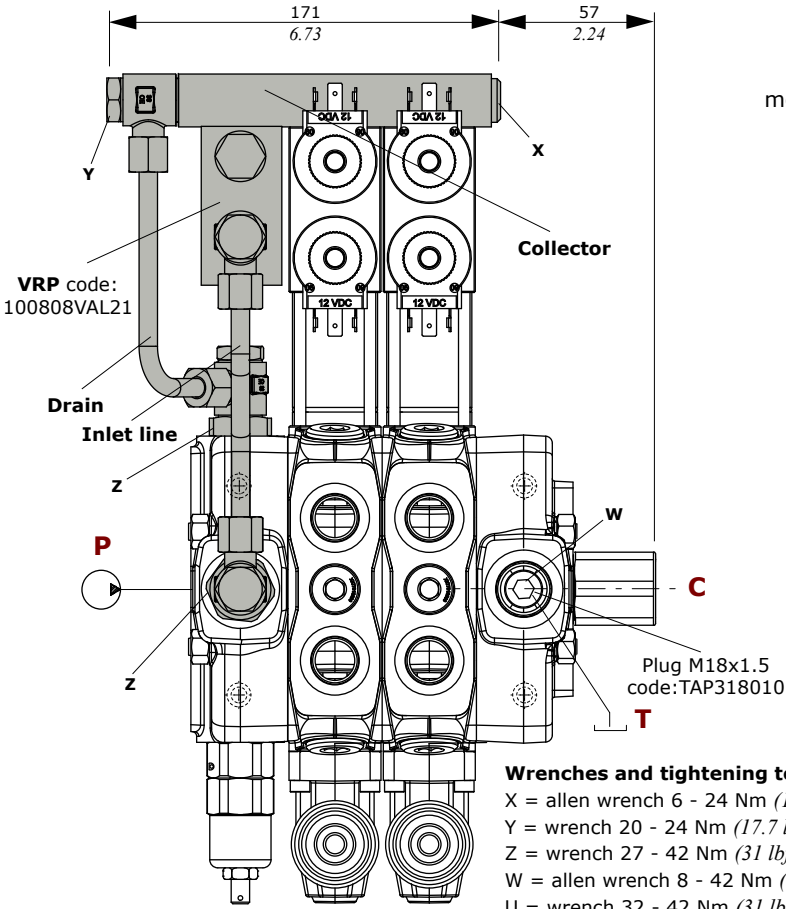
Description example:
 SD8/2/AC(YG3-175)/18ED3L/18ED3L/RC-KE2S0-24VDC-SAE

"A" side spool positioners

8ED3 type ON/OFF electro-hydraulic control

Collector kit with pilot and drain lines

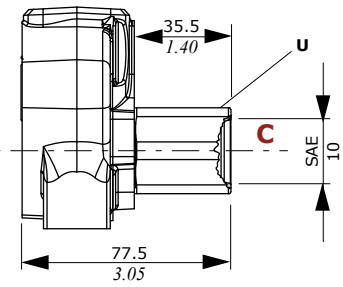
The kit consist of a collector with **VRP** pressure reducing valve and relative pipes.



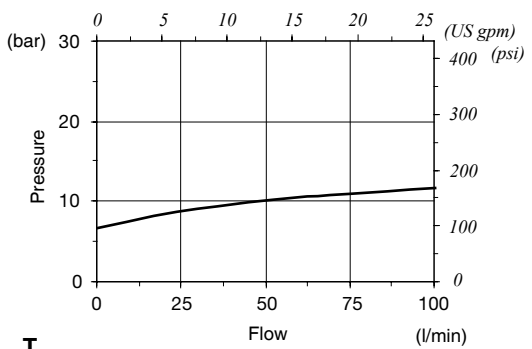
- Wrenches and tightening torques**
- X = allen wrench 6 - 24 Nm (17.7 lbft)
 - Y = wrench 20 - 24 Nm (17.7 lbft)
 - Z = wrench 27 - 42 Nm (31 lbft)
 - W = allen wrench 8 - 42 Nm (31 lbft)
 - U = wrench 32 - 42 Nm (31 lbft)

VRE backpressure valve

The valve is assembled on the free flow of the outlet section in order to create the backpressure required to move the 8ED3 piston control. RV outlet section complete with valve and tapered plug, (code X059700108). For RV complete outlet cover see page 47.



VRE valve - pressure drop from P to C



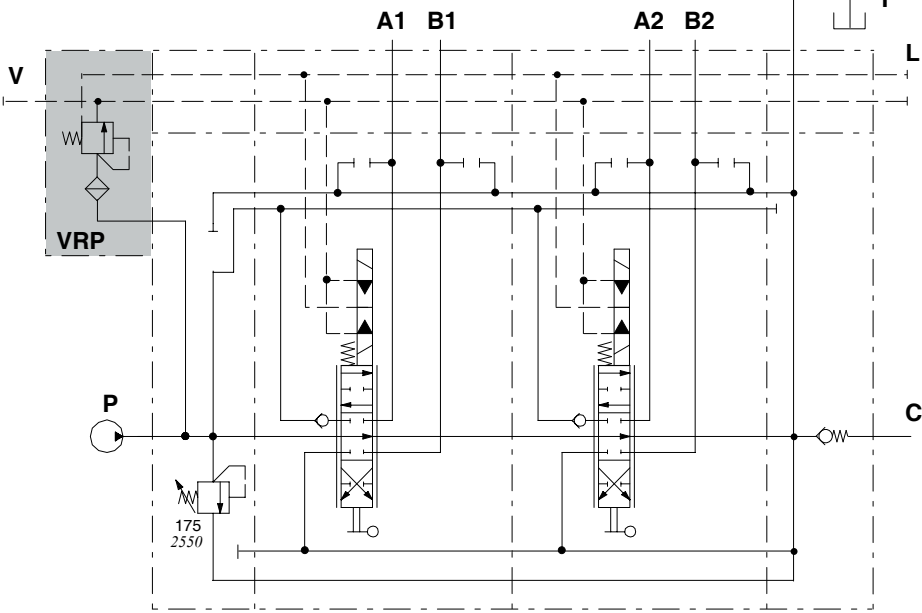
VRP valve operating features

- Outlet pressure : 25 bar (360 psi)
- Max. flow : 8 l/min (2.11 US gpm)

COLLECTOR KIT CODE

Type	Code *	Description
KE1RE	5KE1R31370	Kit for 1 sections
KE2RE	5KE2R31370	Kit for 2 sections
KE3RE	5KE3R31370	Kit for 3 sections
KE4RE	5KE4R31370	Kit for 4 sections
KE5RE	5KE5R31370	Kit for 5 sections
KE6RE	5KE6R31370	Kit for 6 sections
KE7RE	5KE7R31370	Kit for 7 sections
KE8RE	5KE8R31370	Kit for 8 sections
KE9RE	5KE9R31370	Kit for 9 sections

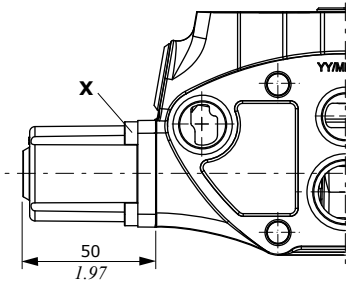
NOTE (*) - Codes are referred to **UN-UNF** thread



Description example:
SD8/2/AC(YG3-175)/18ED3L/18ED3L/RV-KE2R3-12VDC-SAE

"A" side spool positioners

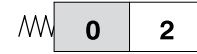
2 positions, with spring return 19 and 20 type



19 type
with spring return in neutral position
from position 1

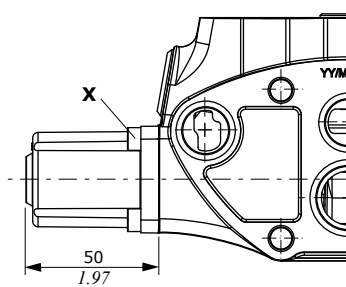


20 type
with spring return in neutral position
from position 2

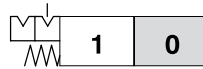


Wrenches and tightening torques
X = allen wrench 4 - 6.6 Nm (4.9 lbf)

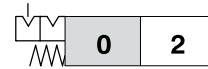
2 positions, with detent 15 and 16 type



15 type
detent in pos. 1 and neutral



16 type
detent in pos. 2 and neutral



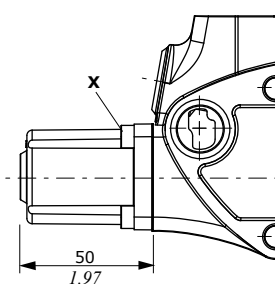
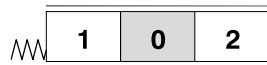
Wrenches and tightening torques
X = allen wrench 4 - 6.6 Nm (4.9 lbf)

Features
Locking-unlocking force..... : 300 N (67.44 lbf)

Particular positioner kits for special spools

8CR type

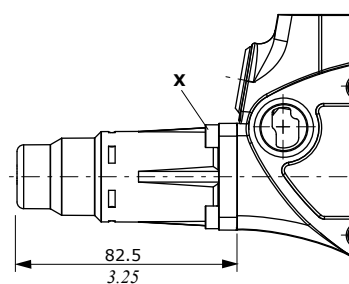
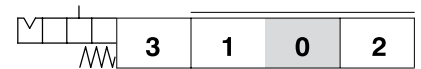
3 positions with spring return in neutral and reduced spool stroke: **for 8F spool.**



Wrenches and tightening torques
X = allen wrench 4 - 6.6 Nm (4.9 lbf)

13C type

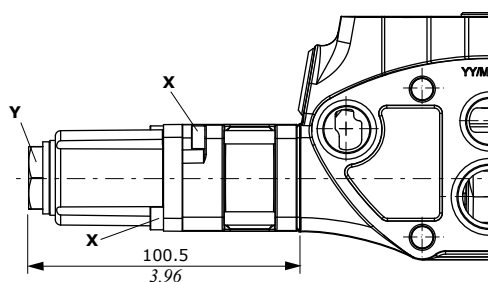
4 positions with spring return in neutral and detent in position 3: **for 5B spool.**



Wrenches and tightening torques
X = allen wrench 4 - 6.6 Nm (4.4 lbf)

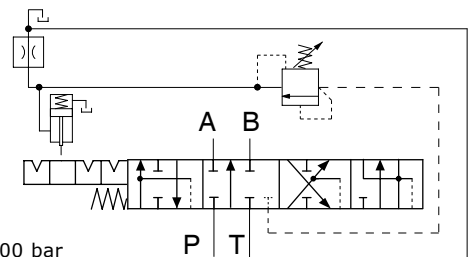
14A type

Control kit with detent in position 1, 2 and 3, kick-out in position 0: **for 5(14A) spool.**



Wrenches and tightening torques
X = allen wrench 4 - 6.6 Nm (4.9 lbf)
Y = wrench 24 - 9.8 Nm (7.2 lbf)

Features
Release pressure : from 20 to 200 bar
(from 290 to 2900 psi)



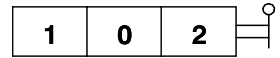
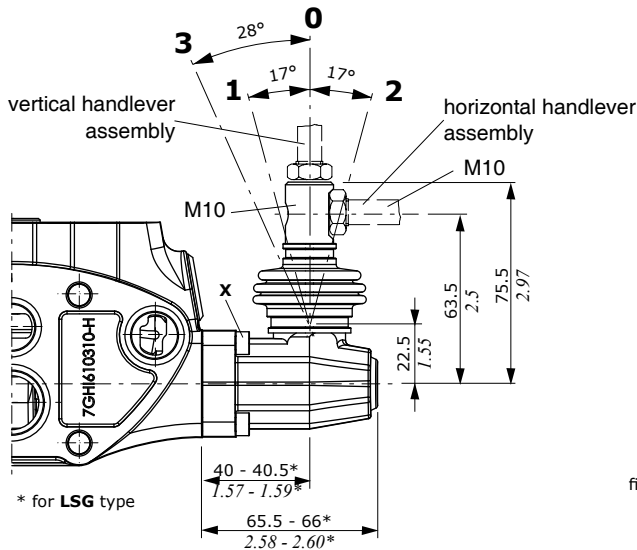
"B" side option

Lever control

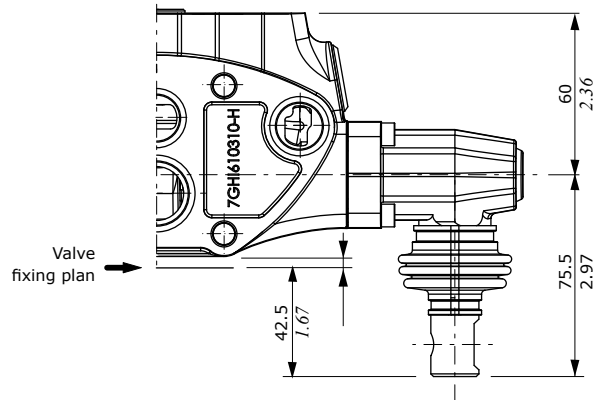
L - LSG types

Aluminium lever pivot box with protective rubber bellow; it can be rotated 180° (configuration **L180**).

LSG type is a waterproof configuration.



L180 - LSG180 configurations

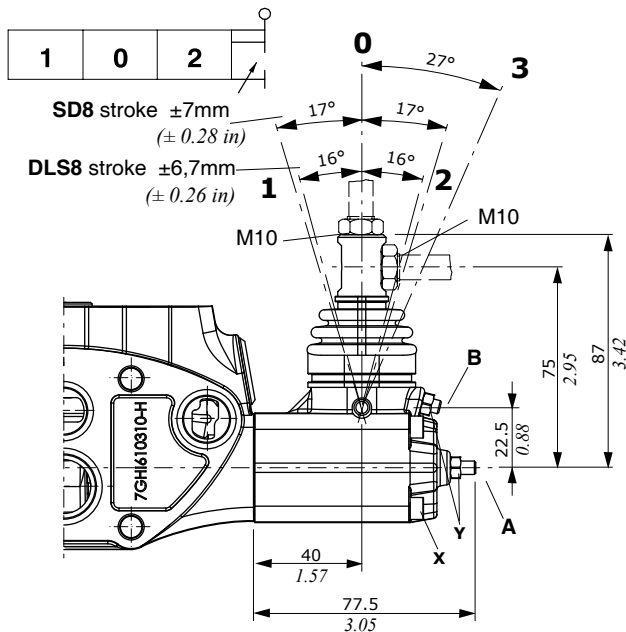


Wrenches and tightening torques

X = allen wrench 4 - 6.6 Nm (4.9 lbf_t)

LF3 type

Zama lever pivot box with protective rubber bellow; it is equipped with two screws for spool stroke adjusting. It can be rotated 180° (**LF3180** configuration).



Wrenches and tightening torques

X = allen wrench 4 - 6.6 Nm (4.9 lbf_t)

Y = allen wrench 8 - 6.6 Nm (4.9 lbf_t)

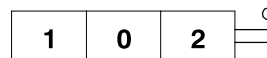
A - Screw for stroke limiter on position 1: wrench 2.5

B - Screw for stroke limiter on position 2: wrench 2.5

LB type

Steel and cast iron construction.

The drawing represents **LB4** configuration with pivot placed above on the right.

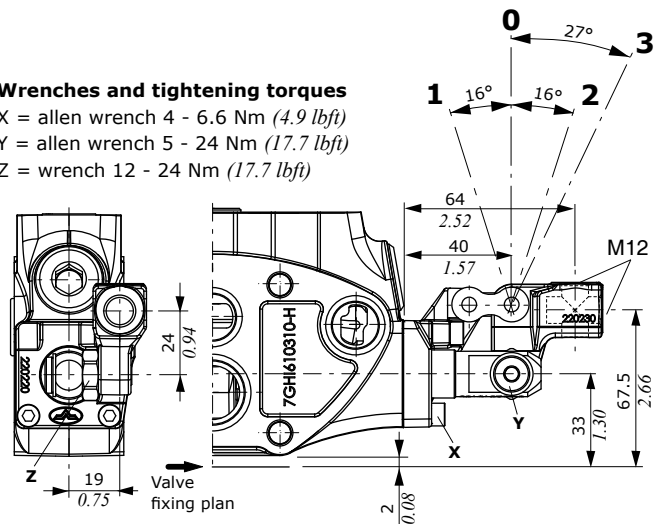


Wrenches and tightening torques

X = allen wrench 4 - 6.6 Nm (4.9 lbf_t)

Y = allen wrench 5 - 24 Nm (17.7 lbf_t)

Z = wrench 12 - 24 Nm (17.7 lbf_t)



NOTES - The pivot can be assembled placed down on the left (**LB1** execution), or it can be rotated 90°; in this case, the interference with other lever controls has to be checked. For further information please contact our Sales Dpt.

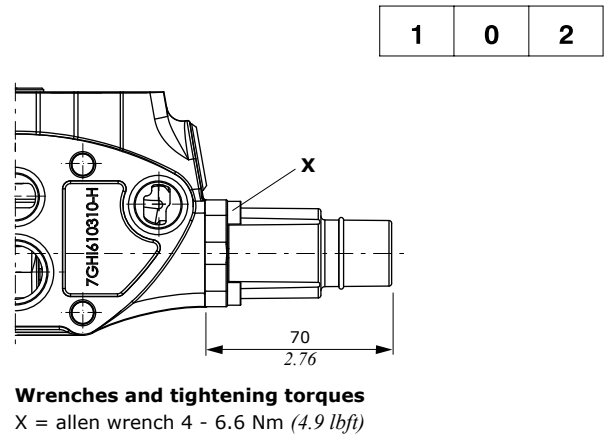
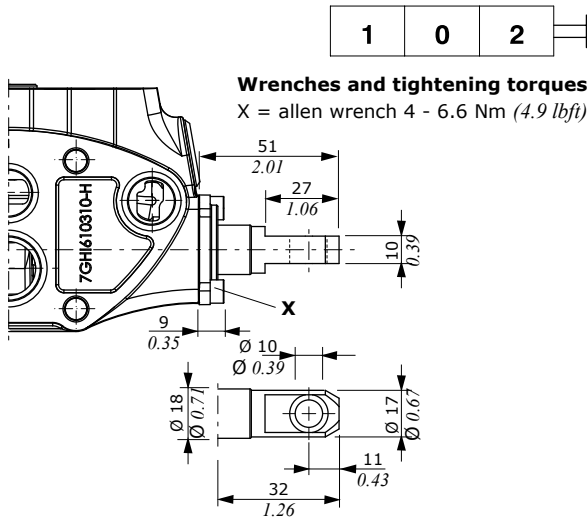
Control prearrangement

SLP type

Mechanical control with dust-proof plate kit.

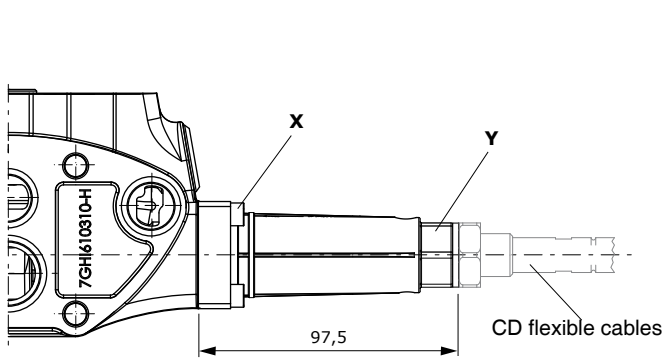
SLCY type

Protection cap.



TQ cable remote control

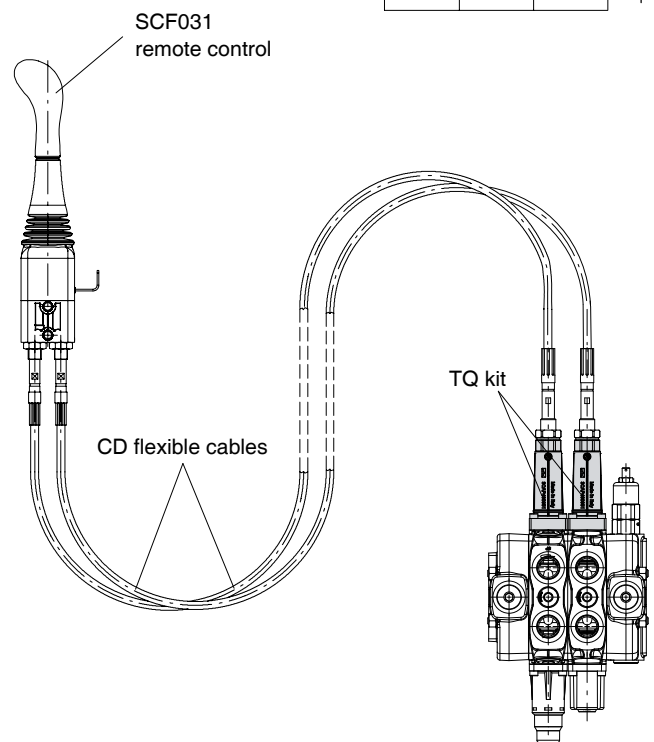
Waterproof cap prearranged for remote control with flexible cable.



Wrenches and tightening torques

X = allen wrench 4 - 6.6 Nm (4.9 lbf_t)
Y = wrench 24

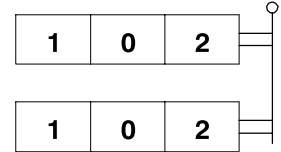
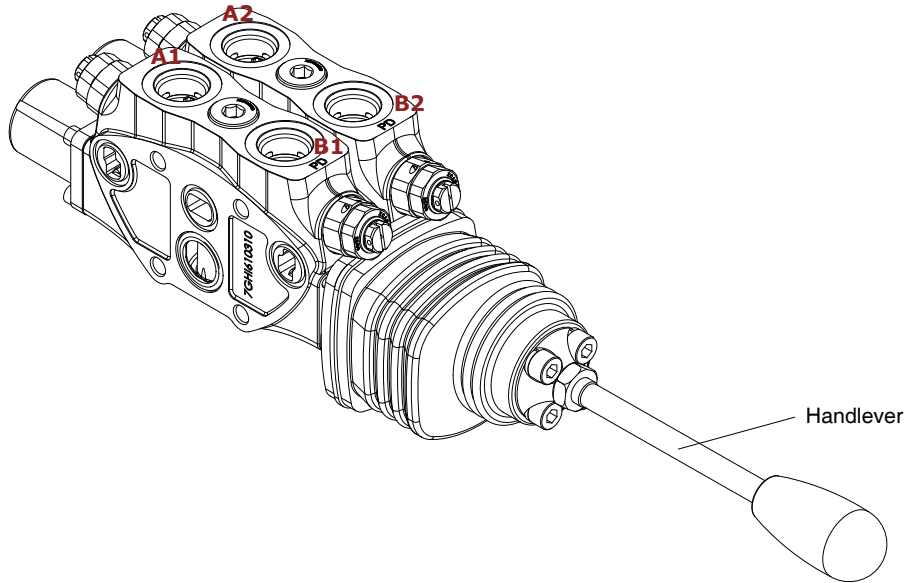
NOTE - For further information about remote controls with flexible cables, please see D1WWEF02A catalogue.



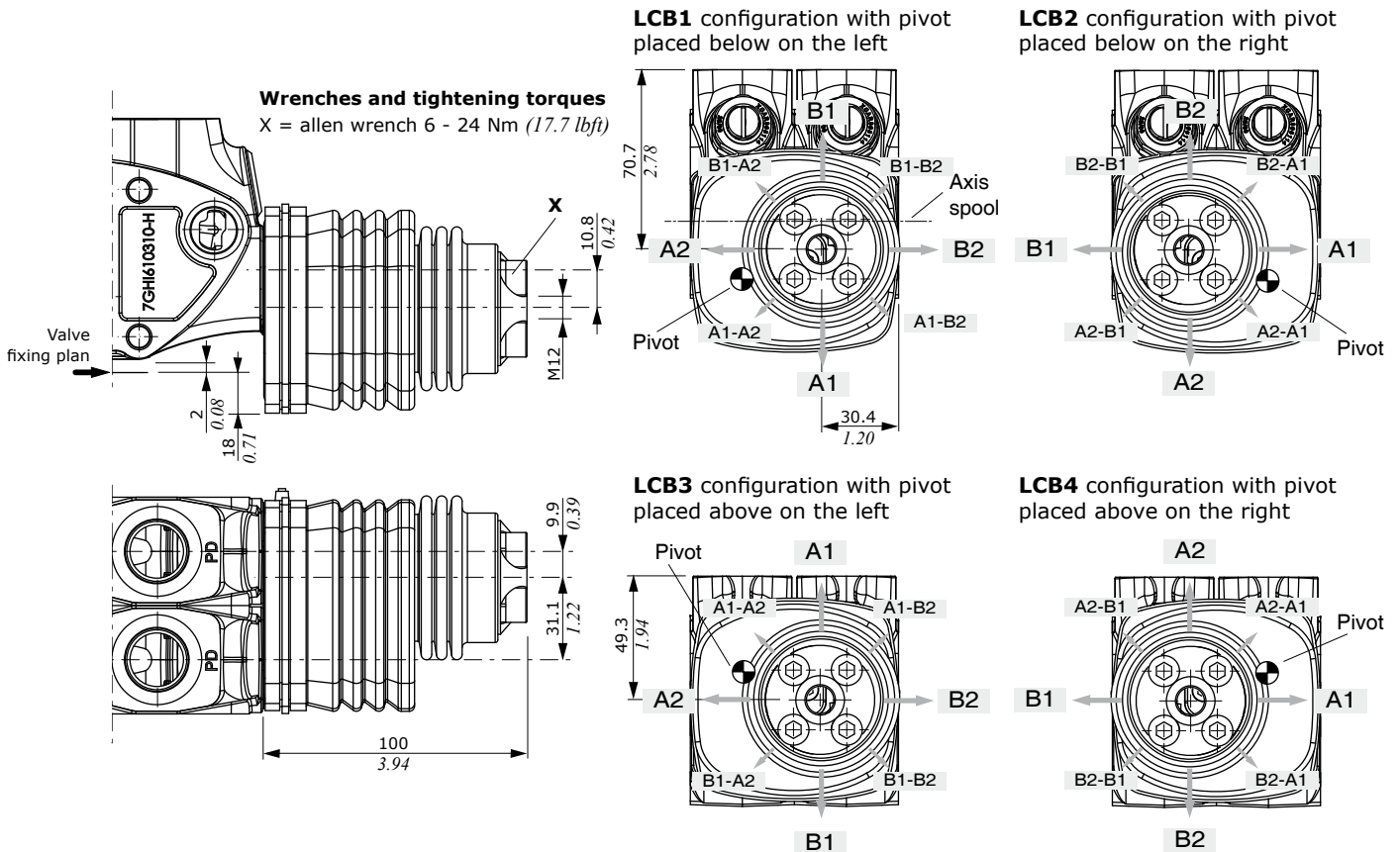
"B" side option

LCB joystick

Joystick lever for 2 section operation

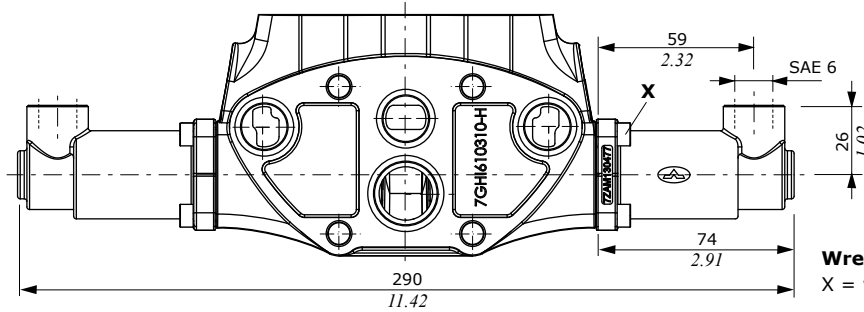


Dimensions and movement scheme for left inlet directional valve



Proportional hydraulic controls

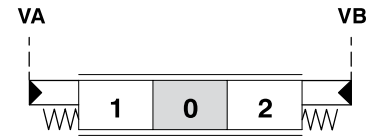
It can be used with standard spools and dedicated elements (see page 22); without seals on spool.



Wrenches and tightening torques

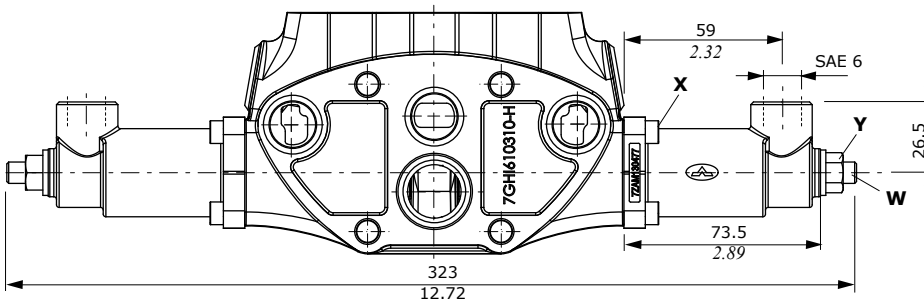
X = wrench 4 - 6.6 Nm (4.9 lbft)

8IM type



8IMF3 type

Execution with screws for spool stroke adjusting

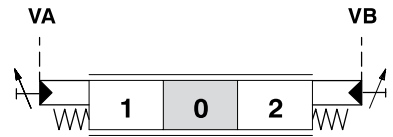


Wrenches and tightening torques

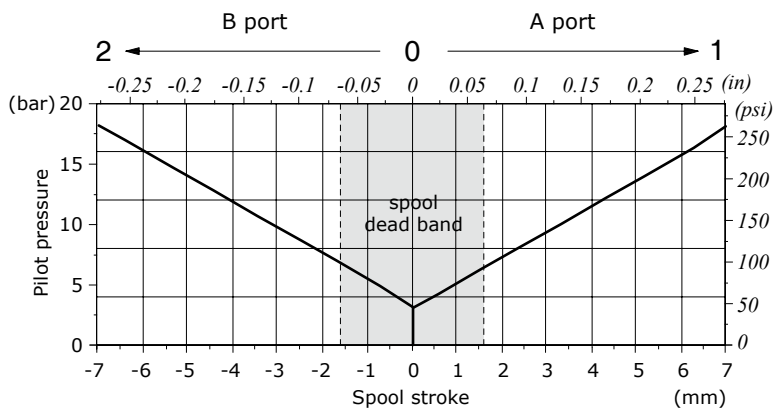
X = allen wrench 4 - 6.6 Nm (4.9 lbft)

Y = wrench 13 - 24 Nm (17.7 lbft)

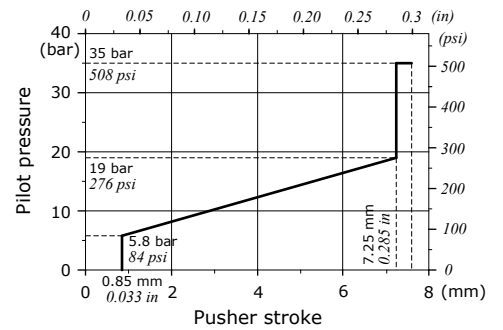
W = wrench 4



Pressure - stroke diagram



Control curve with step on VA and VB port: 033 type

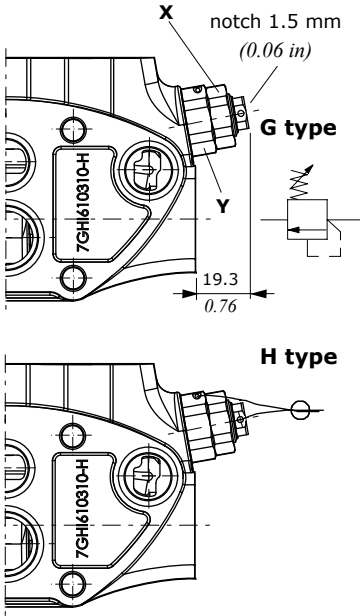


Features

Pilot pressure : max. 30 bar (435 psi)

Port valves

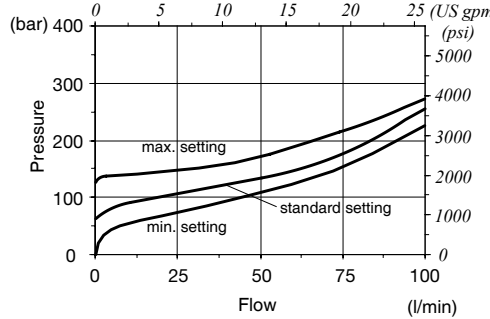
P type antishock valves



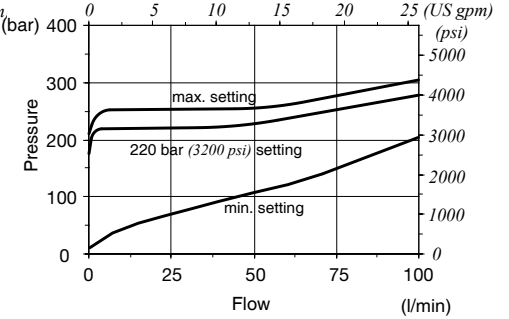
Legenda
G: adjustable with screw
H: valve set and locked

Wrenches and tightening torques
X = wrench 22 - 24 Nm (17.7 lbf)
Y = wrench 24 - 42 Nm (31 lbf)

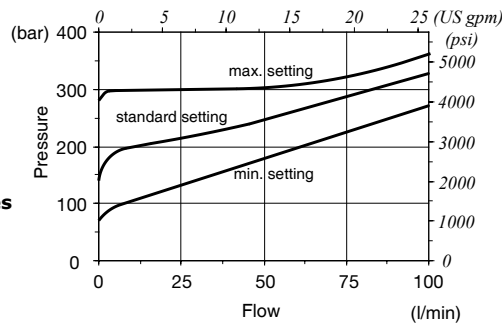
PG2 setting range
 From 55 to 140 bar (from 800 to 2000 psi)



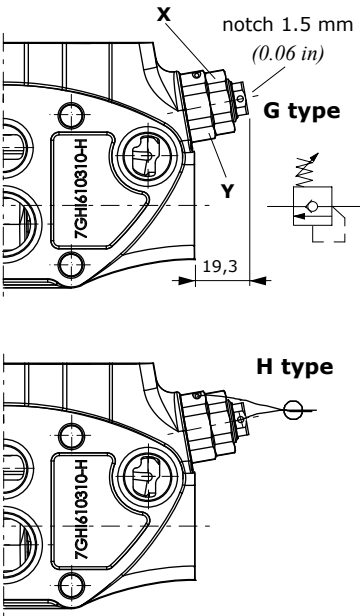
PG3 setting range
 From 50 to 220 bar (from 725 to 3200 psi)



PG4 setting range
 From 180 to 350 bar (from 2600 to 5100 psi)



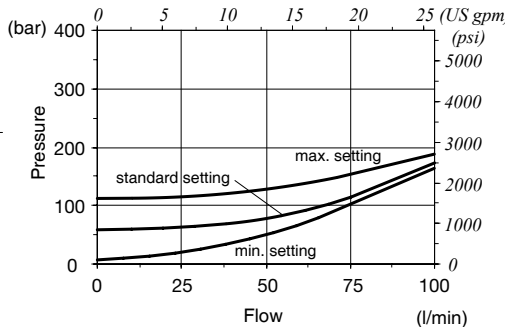
U type anti-shock and anti-cavitation valves



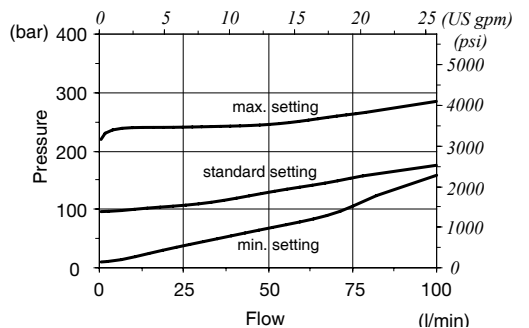
Legenda
G: adjustable with screw
H: valve set and locked

Wrenches and tightening torques
X = wrench 22 - 24 Nm (17.7 lbf)
Y = wrench 24 - 42 Nm (31 lbf)

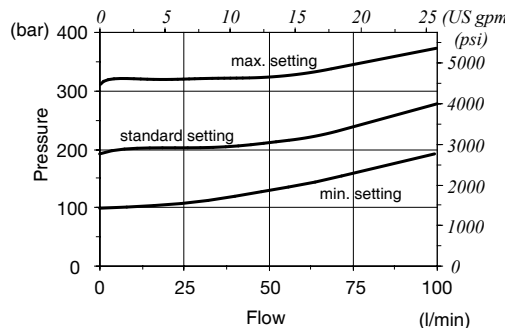
UG2 setting range
 From 35 to 90 bar (from 510 to 1300 psi)



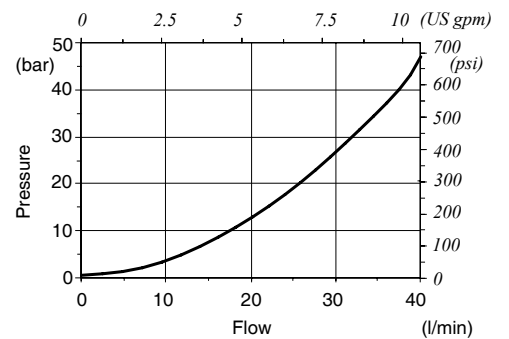
UG3 setting range
 From 100 to 250 bar (from 1450 to 3600 psi)



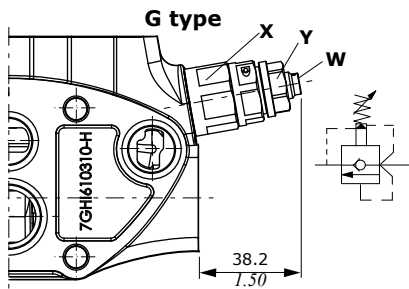
UG4 setting range
 From 180 to 350 bar (from 2600 to 5100 psi)



P → T pressure drop



UXW type pilot operated anti-shock and anticavitation valve



Legenda

G: adjustable with screw

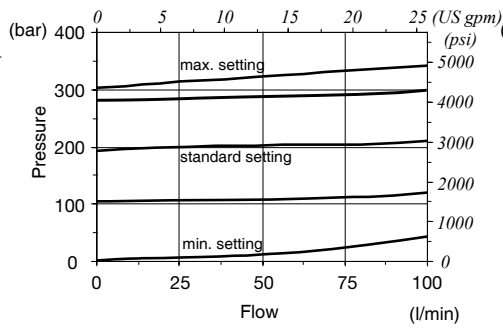
Wrenches and tightening torques

X = wrench 24 - 42 Nm (31 lbf_t)

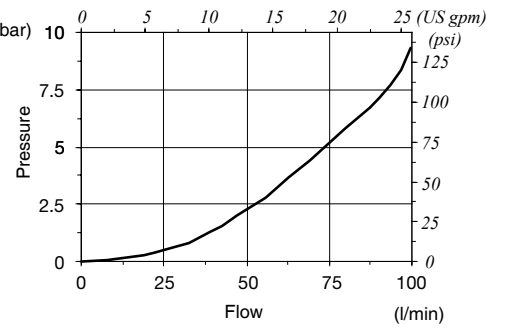
Y = cwrench 17 - 24 Nm (17.7 lbf_t)

W = allen wrench 5

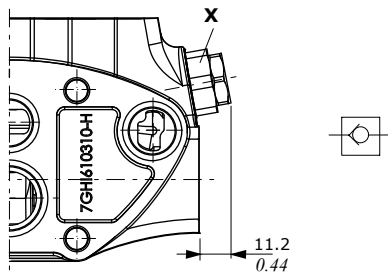
Range setting



Pressure drop in anticavitation



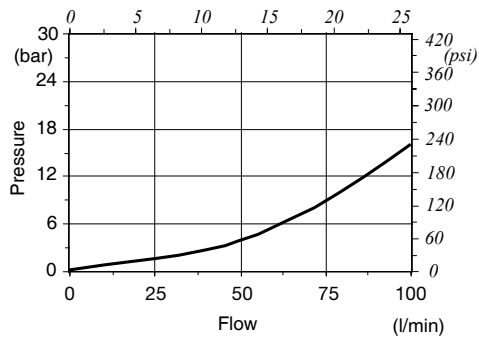
C anticavitation valve



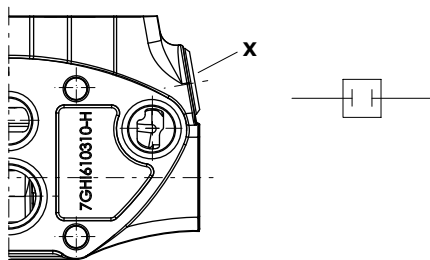
Wrenches and tightening torques

X = wrench 24 - 42 Nm (31 lbf_t)

Pressure drop



Valve blanking plug

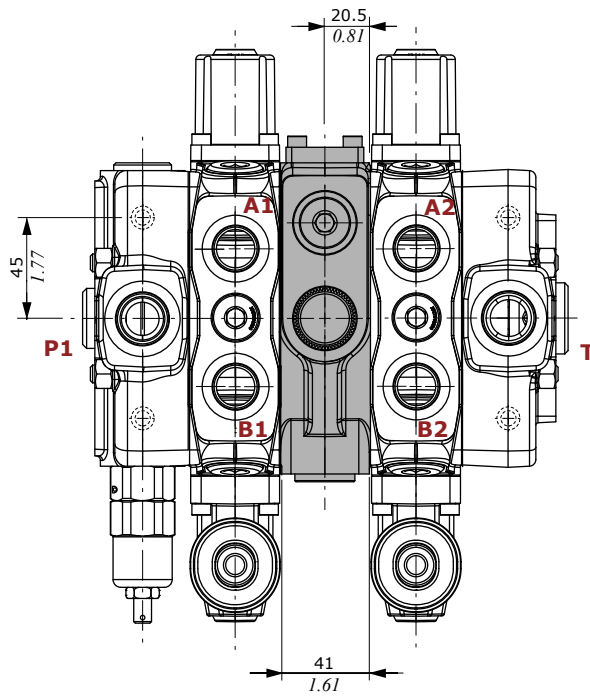


Wrenches and tightening torques

X = allen wrench 10 - 42 Nm (31 lbf_t)

DFG pressure compensated flow divider section

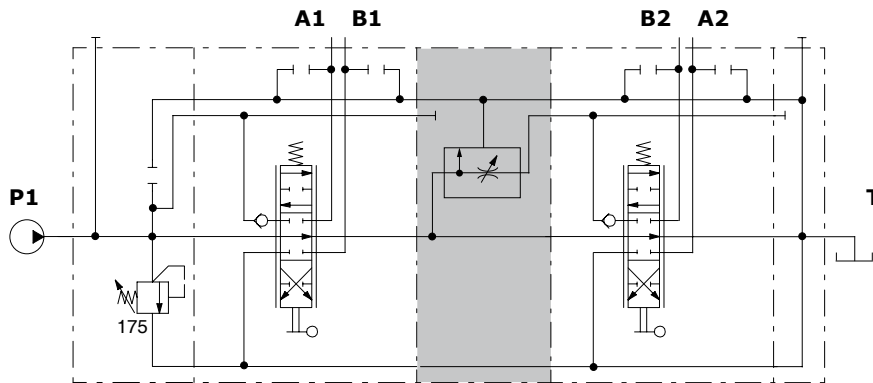
The flow on the downstream sections can be adjusted from 0 to 80 l/min (21 US gpm) by means of graduated handwheel; exceeding setting flow goes to tank.



Wrenches and tightening torques

- X = wrench 21 - 24 Nm (17.7 lbf^t)
- Y = allen wrench 8 - 24 Nm (17.7 lbf^t)
- W = wrench 10 - 42 Nm (31 lbf^t)
- Z = allen wrench 4 - 6.6 Nm (4.4 lbf^t)

Hydraulic circuit

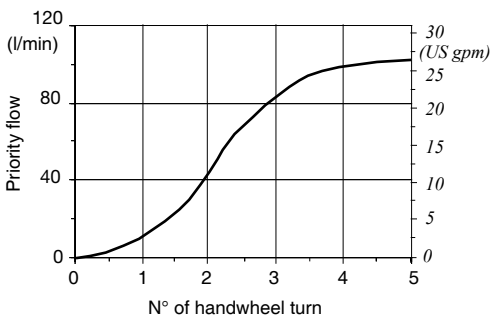


Description example:

SD8/2/AC(YG3-175)/18L/DFG/18L/RC-SAE

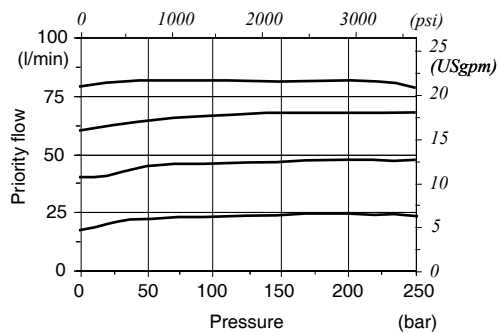
Flow regulation diagram

P= 100 bar (1450 psi)



Pressure-flow diagram

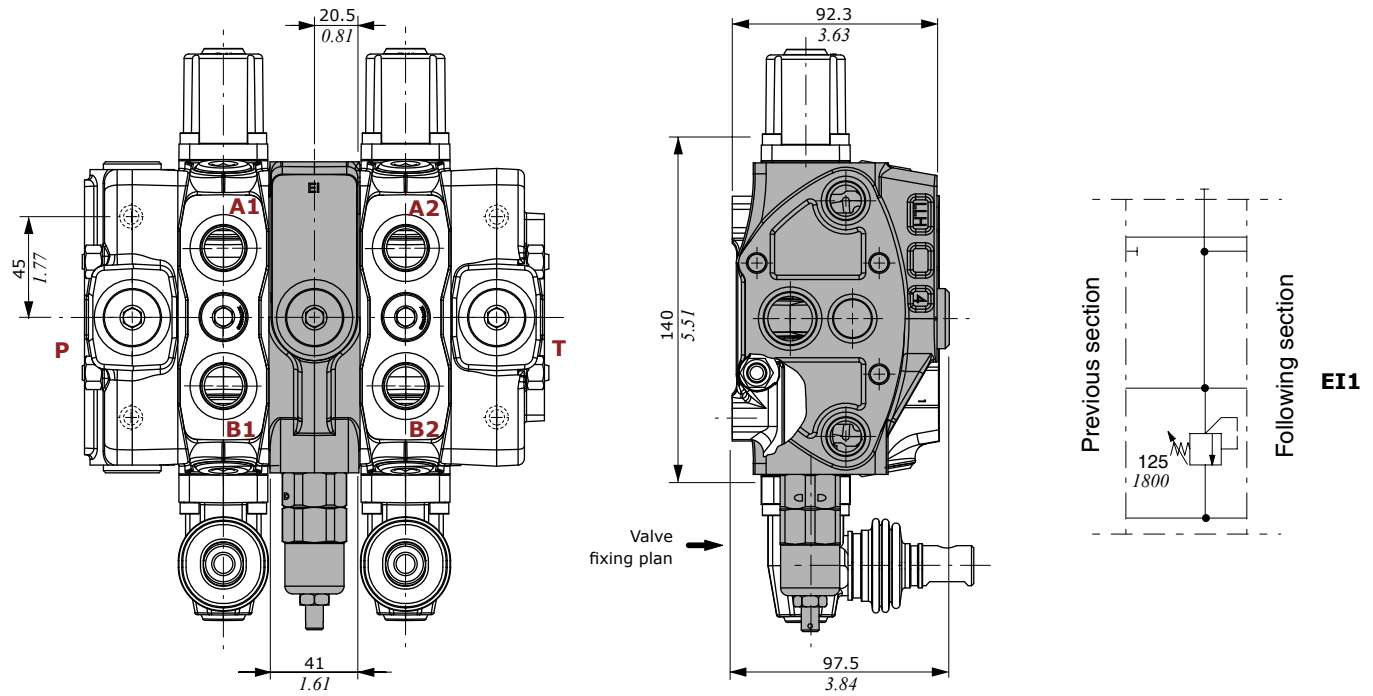
Q_{in} = 110 l/min (29 US gpm)



EI relief valve sections

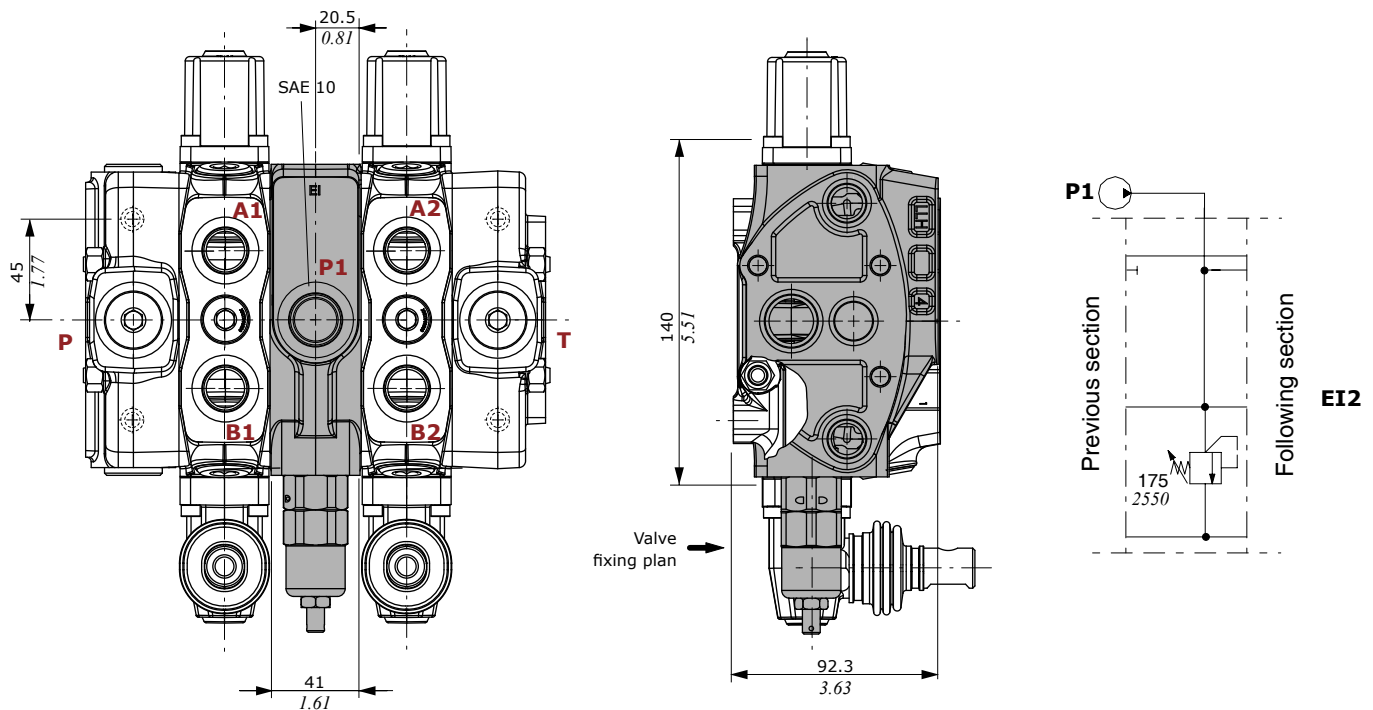
The operation of upstream section excludes the EI downstream section; the pressure of the downstream sections should be adjusted at least 20 bar (290 psi) below the relief valve setting. The relief cavity is the same as the one in the inlet cover; it allows to use direct operated (Y type) as well as pilot operated (X type) relief valves. EI2 execution is prearranged for a second inlet.

EI1 execution



Description example: SD8/2/AC(YG3-125)/18L/EI1(YG3-120)/18L/RC-SAE

EI2 execution

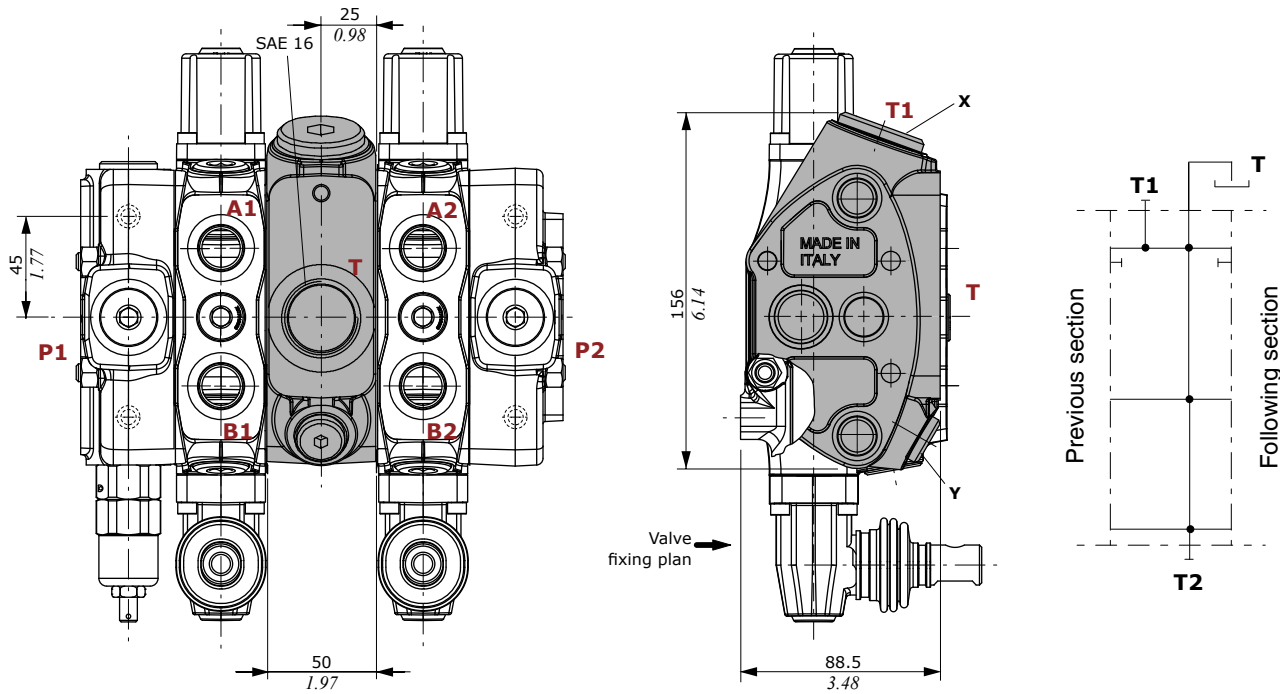


Description example: SD8/2/AC(YG3-175)/18L/EI2(YG2-80)/18L/RC-SAE

CS mid return manifold sections

Mid return manifolds for directional valve with both left and right inlet; they allow 2 independent circuits with common outlet.

CST type

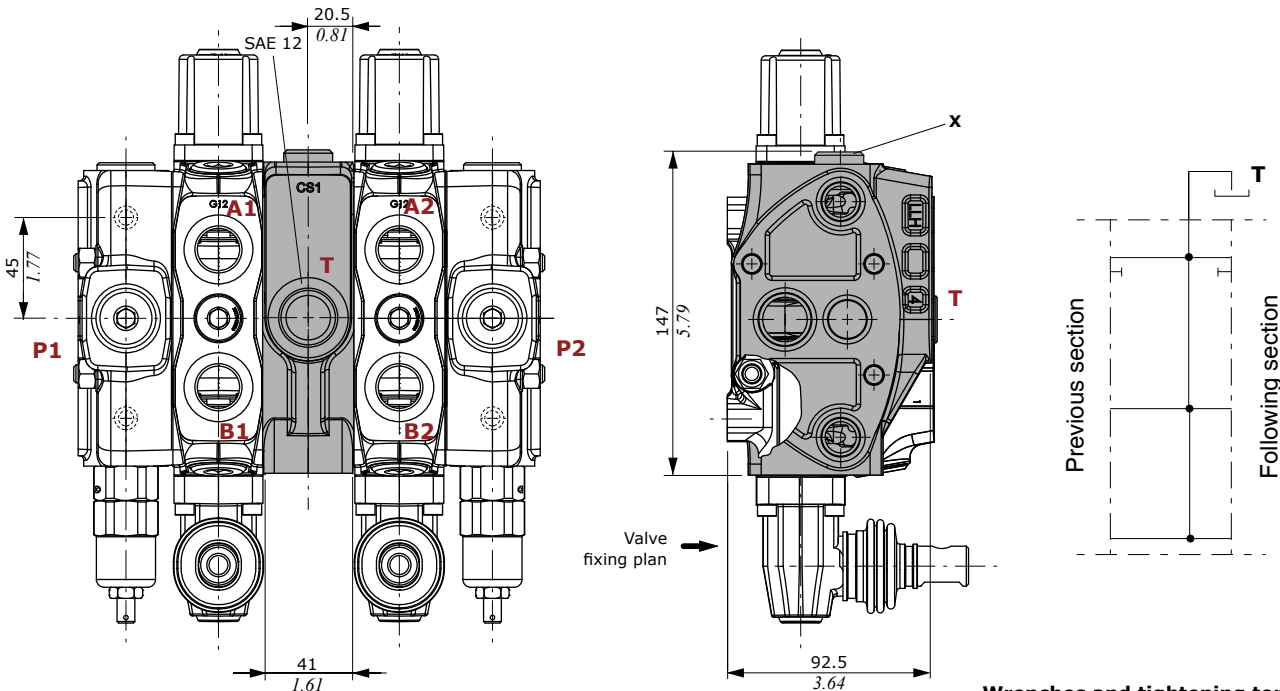


Description example: SD8/2/AC(YG3-175)/18L/CST/18L/BC(YG3-175)-SAE

Wrenches and tightening torques

X = allen wrench 12 - 42 Nm (31 lbft)
Y = allen wrench 6 - 24 Nm (17.7 lbft)

CS1 type



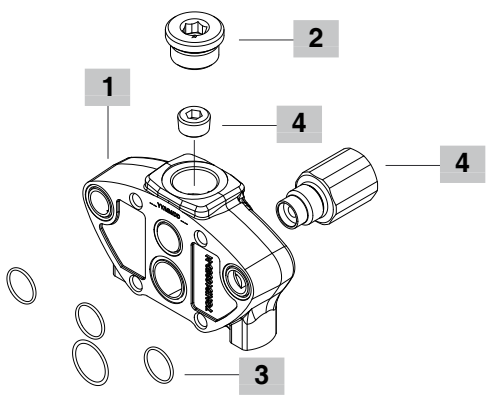
Description example: SD8/2/AC(YG3-175)/18L/CS1/18L/BC(YG3-175)

Wrenches and tightening torques

X = allen wrench 6 - 24 Nm (17.7 lbft)

FS SD80 / RC -

- 5**
- RC** With side outlet
- RD** With upper outlet
- RE** With upper outlet and side carry-over sleeve
- RK** With upper outlet and closed centre
- RV** With backpressure valve: **to be used together with the electro-hydraulic control**



1 Outlet section *

CODE: 3FIA208700-H DESCRIPTION: Outlet section body

2 Plug *

CODE: 3XTAP826160 DESCRIPTION: SAE 10 plug

3 O-ring seals

CODE	DESCRIPTION
4GUA118818	O-ring 18.77x1.78 NBR 70 SH (3 pieces)
4GUA125118	O-ring 25.12x1.78 NBR 70 SH

4 Circuit option

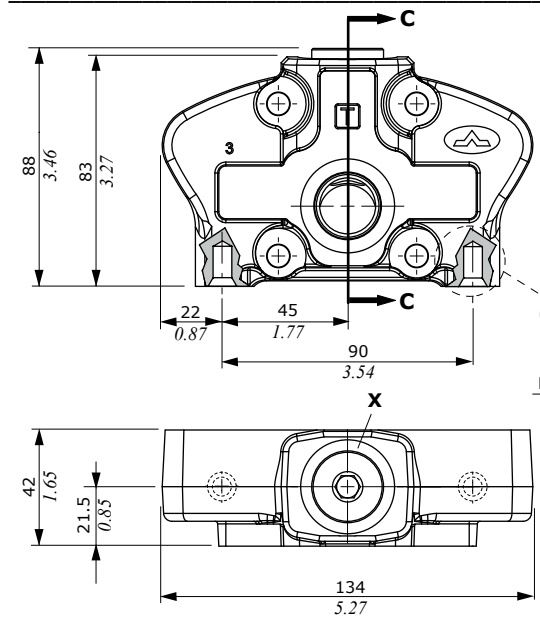
CODE	DESCRIPTION
4TAP318010	M18x1.5 plug for carry-over (RE) and closed centre (RK) options
X059700108(*)	VRE backpressure valve for RV configuration (see page 36)

5 Section threading

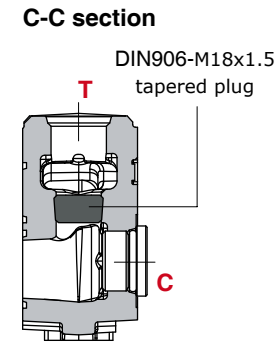
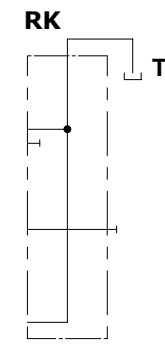
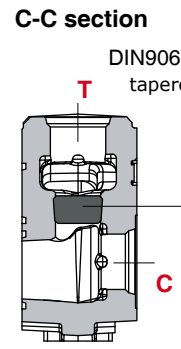
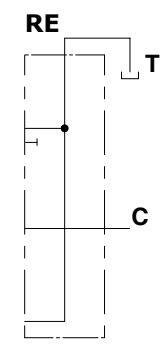
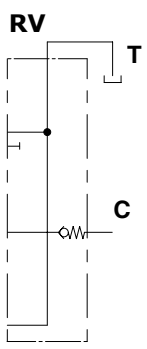
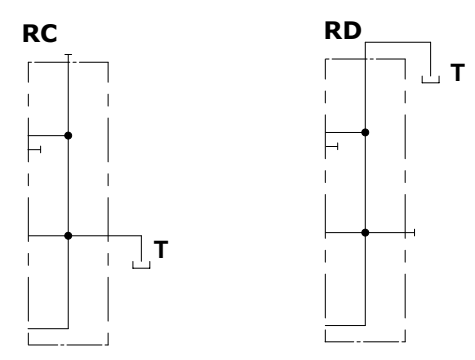
Specify only if it is different from BSP standard (see page 4)

NOTE (*) - Codes are referred to **UN-UNF** thread.

Dimensional data and hydraulic circuit



Wrenches and tightening torques
X = allen wrench 8 - 24 Nm (17.7 lbf_t)





Working conditions

This catalogue shows technical specifications and diagrams measured with mineral oil of 46mm²/s (46 cSt) viscosity at 40°C (104°F) temperature.

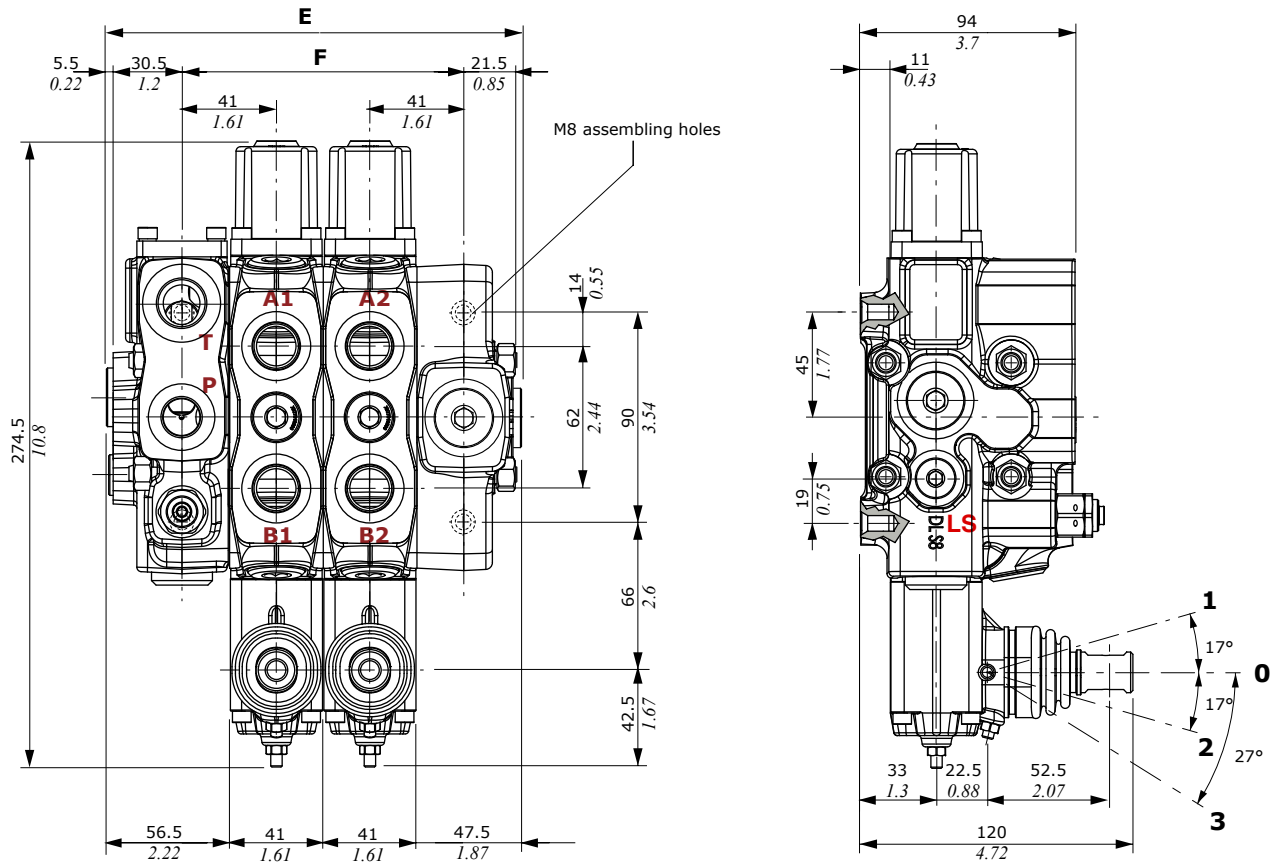
Nominal flow rating	on P inlet	120 l/min	32 US gpm
	on A and B ports	100 l/min	26 US gpm
Max. pressure		315 bar	4600 psi
Back pressure (max.)	on T outlet port	25 bar	360 psi
Internal leakage A(B)⇒T (standard)	$\Delta p = 100 \text{ bar (1450 psi)}$	3 cm ³ /min	0.30 cm ³ /min
Fluid		Mineral based oil	
Fluid temperature	with NBR (BUNA-N) seals	from -20°C to 80°C	from -4°F to 176°F
	with FPM (VITON) seals	from -20°C to 100°C	from -4°F to 212°F
Viscosity	operating range	from 15 to 75 mm ² /s	from 15 to 75 cSt
	min.	12 mm ² /s	12 cSt
	max.	400 mm ² /s	400 cSt
Max. contamination level		-/19/16 - ISO 4406	NAS 1638 - class 10
Environmental temperature for working conditions	with mechanical devices	from -40°C to 60°C	from -40°F to 140°F
Tie rod tightening torque		30 Nm	22 lbft

NOTES - For different conditions please contact our Sales Dept.

Standard threads

REFERENCE STANDARD				
		BSP	UN-UNF	NPTF
THREAD ACCORDING TO		ISO 228/1	ISO 263	ANSI B1.20.3
		BS 2779	ANSI B1.1 unified	
CAVITY DIMENSION ACCORDING TO	ISO	1179-1	11926-1	
	SAE		J1926-1	J476a
	DIN	3852-2, X or Y shape		
PORTS THREADING				
MAIN PORTS		BSP	UN-UNF	
P inlet		G 3/4	7/8-14 (SAE 10)	
A and B ports		G 1/2	3/4-16 (SAE 8)	
T outlet		G 3/4	7/8-14 (SAE 10)	
LS load sensing		G 1/4	9/16-18 (SAE 6)	
PILOT PORTS				
Hydraulic		G 1/4	9/16-18 (SAE 6)	
Pneumatic		NPTF 1/8-27	NPTF 1/8-27	

Dimensions

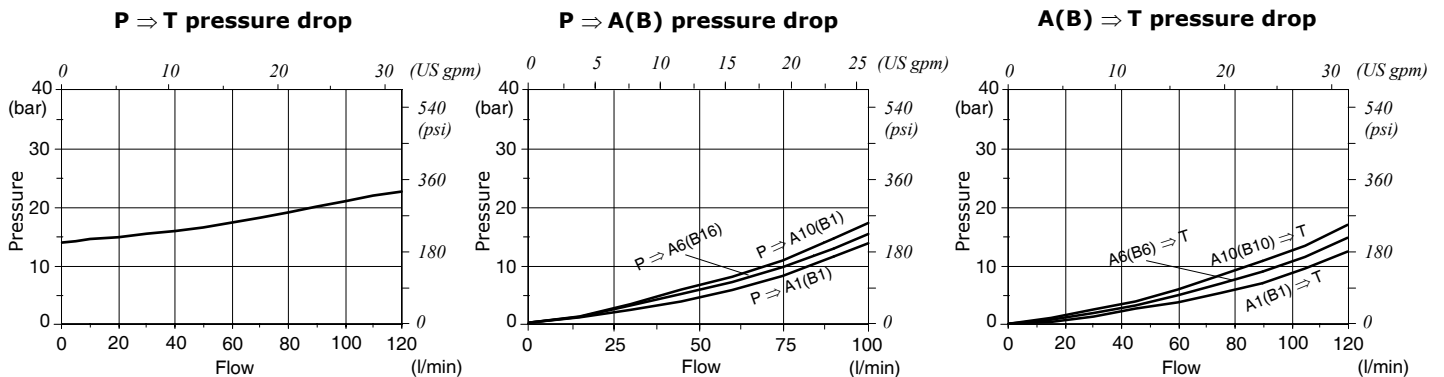


NOTE - Drawings and dimensions are referred to **UN-UNF** thread configuration.

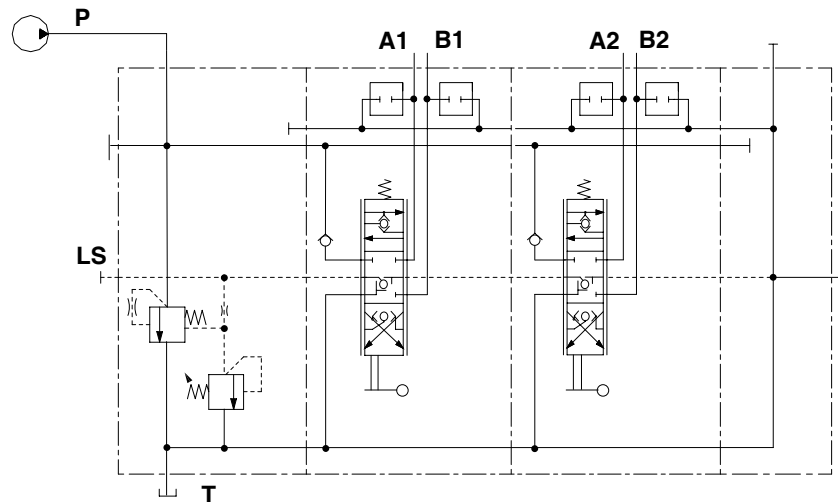
TYPE	E		F		Weight	
	mm	in	mm	in	Kg	lb
DLS8/1	145	5.71	82	3.23	8.6	19
DLS8/2	186	7.32	123	4.84	12.3	27.1
DLS8/3	227	8.93	164	6.46	16	35.3
DLS8/4	268	10.55	205	8.07	19.7	43.4
DLS8/5	309	12.16	246	9.68	23.4	51.6

TYPE	E		F		Weight	
	mm	in	mm	in	Kg	lb
DLS8/6	350	13.78	287	11.3	26.9	59.3
DLS8/7	391	15.39	328	12.91	30.6	67.5
DLS8/8	432	17	369	14.52	34.3	75.7
DLS8/9	473	18.61	410	16.13	38	83.9
DLS8/10	514	20.22	451	17.74	41.7	92.1

Performance data

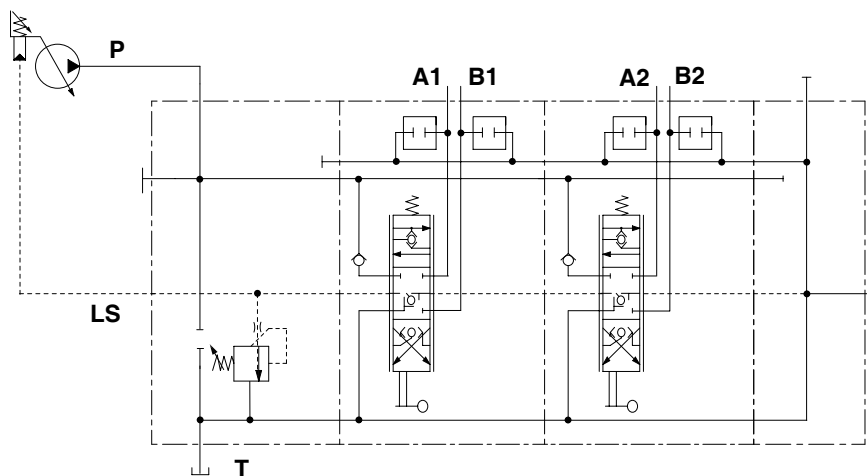


For open centre circuit (fixed displacement pump)

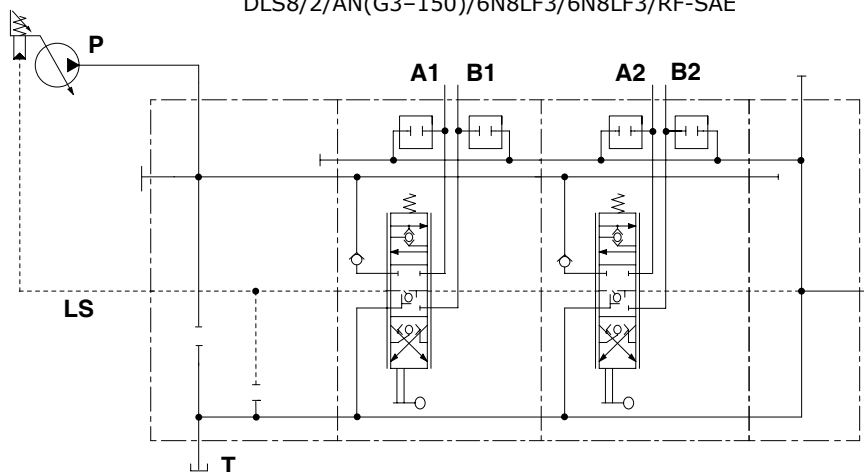


Description example:
DLS8/2/AM(G3-150)/6N8LF3/6N8LF3/RF-SAE

For closed centre circuit (variable displacement pump with Load-Sensing compensator)



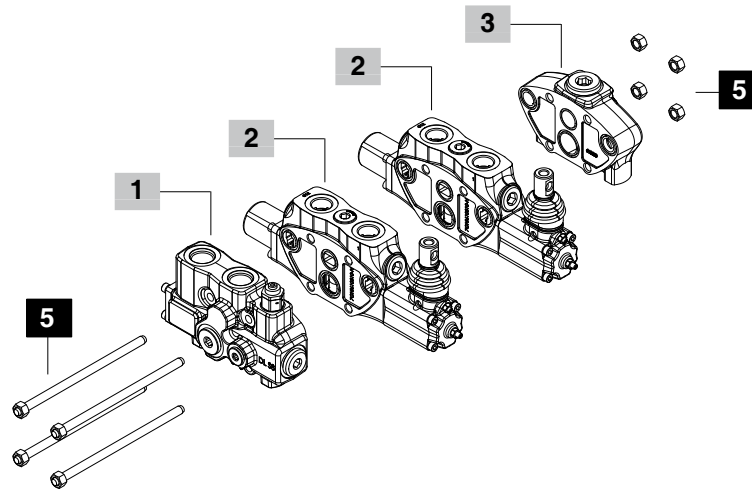
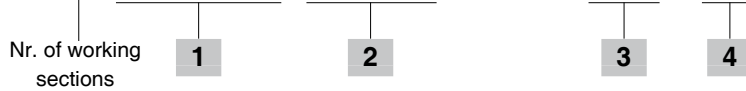
Description example with L.S. relief valve:
DLS8/2/AN(G3-150)/6N8LF3/6N8LF3/RF-SAE



Description example without L.S. relief valve:
DLS8/2/AP(SV)/6N8LF3/6N8LF3/RF-SAE

Complete section ordering codes

DLS8 / 2 / AM(G3-150) / 6N8LF3 / 6N8LF3 / RF -



1 Inlet section * page 51

TYPE	CODE	DESCRIPTION
AM(G3-150)	61C371000	For open centre circuit, with compensator and L.S. pressure relief valve
AN(G3-150)	61C372000	Without compensator and with L.S. pressure relief valve
AP(SV)	61C373000	Without compensator and without L.S. pressure relief valve

2 Working section * page 56

TYPE	CODE	DESCRIPTION
Q-6N8LF3	61C151002	Parallel circuit, double acting spool with spring return, lever control, without arrangement for port valves
P-6N8LF3	61C171601	As previous one, with arrangement for port valves (P omitted in description)

3 Outlet section * page 57

TYPE	CODE	DESCRIPTION
RF	61C471000	Standard outlet section

4 Valve threading

Specify only if it is different from BSP standard (see page 47)

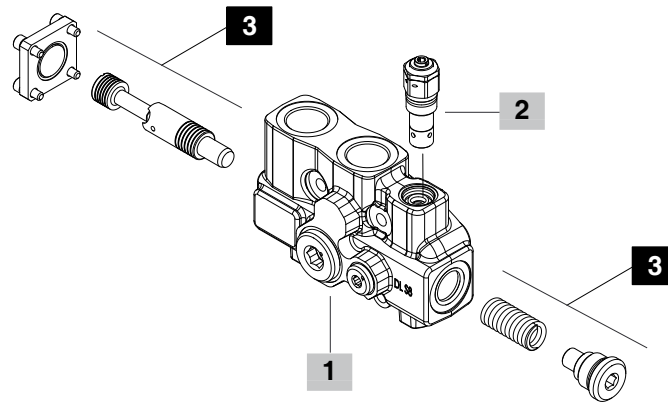
5 Assembling kit

CODE	DESCRIPTION
5TIR108128	Tie rod kit for 1 working section directional valve
5TIR108169	Tie rod kit for 2 working section directional valve
5TIR108210	Tie rod kit for 3 working section directional valve
5TIR108251	Tie rod kit for 4 working section directional valve
5TIR108292	Tie rod kit for 5 working section directional valve
5TIR108333	Tie rod kit for 6 working section directional valve
5TIR108374	Tie rod kit for 7 working section directional valve
5TIR108415	Tie rod kit for 8 working section directional valve
5TIR108456	Tie rod kit for 9 working section directional valve
5TIR108497	Tie rod kit for 10 working section directional valve

NOTE (*) - Codes are referred to **UN-UNF** thread.

FE DLS8 / AM (G3 - 125) - Valve setting (bar)

1 2 4



1 Inlet cover body * page 54

TYPE	CODE	DESCRIPTION
AM	5FIA308710	For compensator and L.S. relief valve
AN	5FIA308711	For compensator blanking kit and L.S. relief valve
AP	5FIA308712	For compensator blanking kit and L.S. relief valve blanking kit

2 L.S. relief valve options page 55

Standard setting is referred to 10 l/min (2.6 US gpm)

TYPE	CODE	DESCRIPTION
ST	XTAP220440	Relief valve blanking plug

L.S. relief valve

(G3-160)	XCAR602100	Range 100-200 bar (1450-2900 psi) standard setting 125 bar (1800 psi)
(G4-250)	XCAR602200	Range 160-315 bar (2300-4550 psi), standard setting 250 bar (3600 psi)

3 Compensator kit

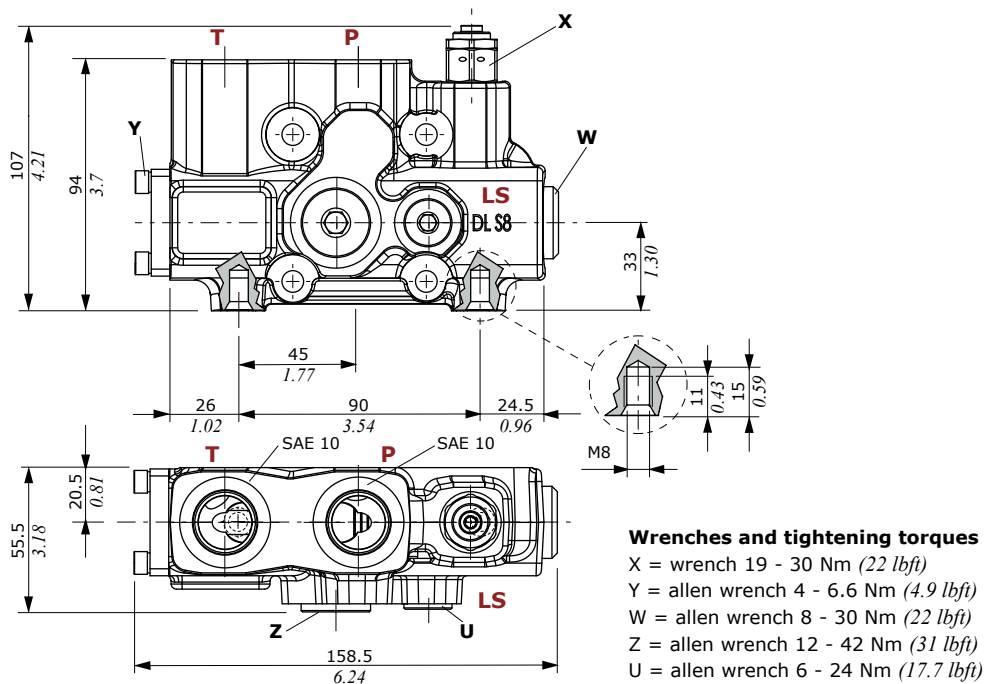
CODE	DESCRIPTION
5KIT008300	Compensator kit, for AM section
5KIT008310	Compensator blanking kit, for AN and AP section

4 Section threading

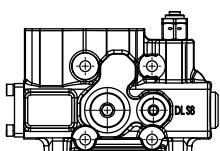
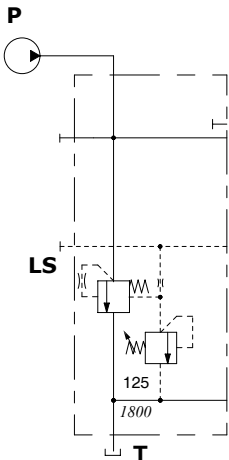
Specify only if it is different from BSP standard (see page 49)

NOTE (*) - Codes are referred to UN-UNF thread.

Dimensional data and hydraulic circuit

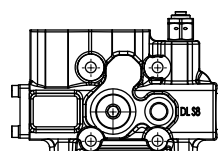
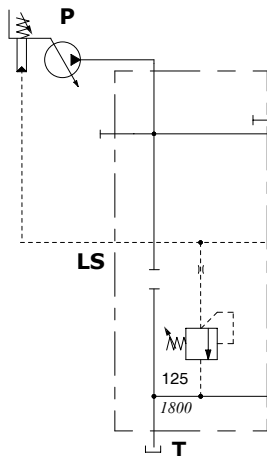


For fixed displacement pump, L.S. compensator (open centre) with main relief valve



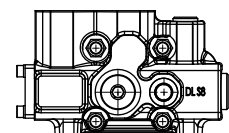
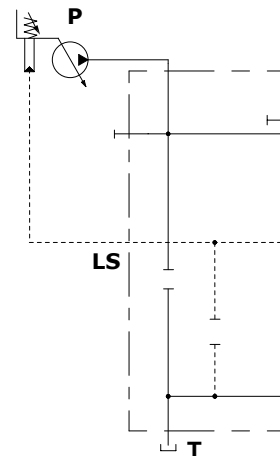
Description example:
AM (G3-125)

For variable displacement pump, (closed centre) with main relief valve



Description example:
AN (G3-125)

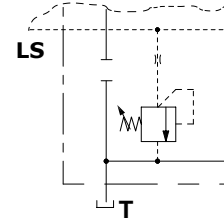
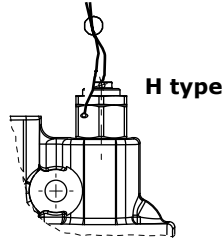
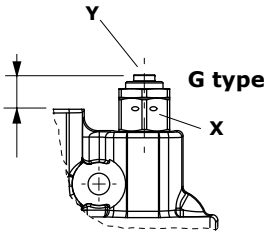
For variable displacement pump, (closed centre) without main relief valve



Description example:
AP (ST)

L.S. relief valve

Configuration type:



Legenda

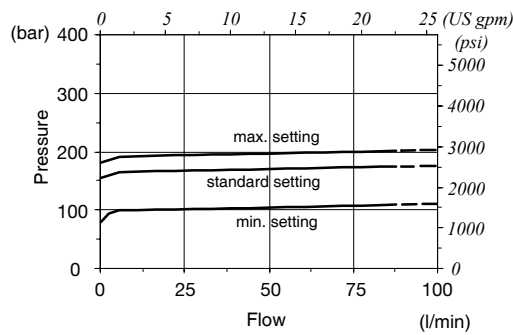
- G: adjustable with screw
- H: valve set and locked

Wrenches and tightening torques

- X = wrench 19 - 24 Nm (17.7 lbf^t)
- Y = allen wrench 4

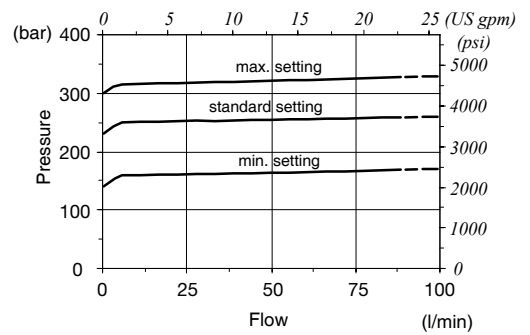
G3 valve setting range

From 100 to 200 bar (from 1450 to 2900 psi)



G4 valve setting range

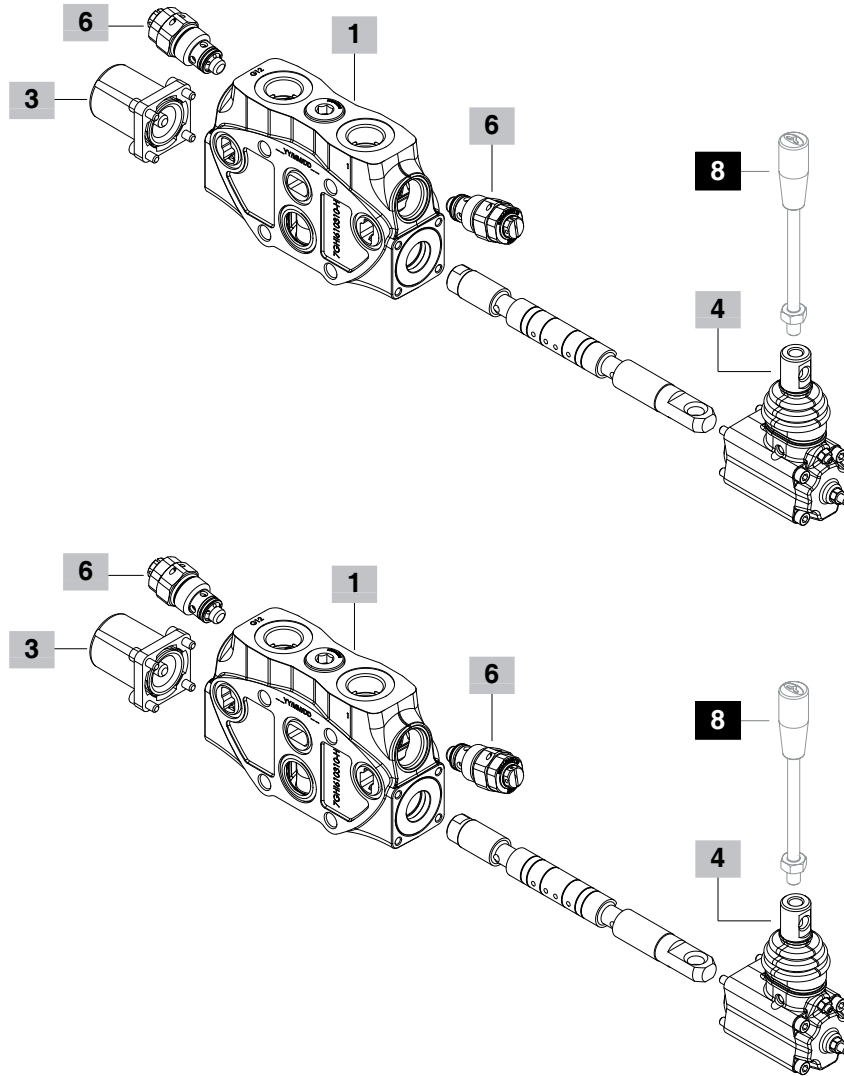
From 160 to 315 bar (from 2300 to 4550 psi)



Parts ordering codes

EL DLS8 / (P) - 6N 8 LF3 . P3 (G3 - 100) -
 1 2 3 4 6 7
 1 - on A port
 2 - on B port
 3 - on A and B ports
 Valve setting (bar)

EL DLS8 / (P) - 6N 8IMF3 . P3 (G3 - 100) -
 1 2 5 6 7
 1 - on A port
 2 - on B port
 3 - on A and B ports
 Valve setting (bar)



1 Working section kit * page 58

TYPE	CODE	DESCRIPTION
P	5EL1087000	For parallel circuit (omitted in description)
Q	5EL1087010	For parallel circuit without arrangement for port valves

2 Spools page 58

TYPE	CODE	DESCRIPTION
Double acting, 3 positions, with A and B closed in neutral position		
6V	3CU3410020	Up to 20 l/min (5.3 US gpm) flow
6Q	3CU3410040	Up to 40 l/min (10.6 US gpm) flow
6S	3CU3410060	Up to 60 l/min (16 US gpm) flow
6N	3CU3410090	Up to 90 l/min (23.8 US gpm) flow
Double acting, 3 positions, with A and B to tank in neutral position		
7V	3CU3425020	Up to 20 l/min (5.3 US gpm) flow
7Q	3CU3425040	Up to 40 l/min (10.6 US gpm) flow
7S	3CU3425060	Up to 60 l/min (16 US gpm) flow
7N	3CU3425090	Up to 90 l/min (23.8 US gpm) flow

3 "A" side spool positioners page 28

TYPE	CODE	DESCRIPTION
7FT	5V07208100	With friction and neutral position sensor
8	5V08108010	With spring return in neutral position

4 "B" side options page 38

TYPE	CODE	DESCRIPTION
L	5LEV108000	Standard lever box
LF3	5LEV108710	Lever box with spool stroke limiter
SLP	5COP108000	Without lever box, with dust-proof plate
LCB	5CLO208000	Joystick lever for 2 sections operation

5 Complete controls * page 41

TYPE	CODE	DESCRIPTION
8IMF3	5IDR208730	Proportional hydraulic control with spool stroke limiter

6 Port valves page 42

TYPE	CODE	DESCRIPTION
Standard setting is referred to 10 l/min (2.6 US gpm)		
-	3XTAP524290	Valve blanking plug (omitted in description)
C	XCAR408110	Anti-cavitation valve
Anti-shock valve		
P(G2)	3XCAR208112	Range 55-140 bar (790-2050 psi) standard setting 60 bar (870 psi)
P(G3)	3XCAR208113	Range 63-220 bar (900-3200 psi) standard setting 100 bar (1450 psi)
P(G4)	3XCAR208114	Range 180-350 bar (2600-5100 psi) standard setting 200 bar (2900 psi)
Anti-shock and anti-cavitation valve		
U(G2)	XCAR308112	Range 63-125 bar (900-1800 psi) standard setting 63 bar (900 psi)
U(G3)	XCAR308115	Range 100-250 bar (1450-3600 psi) standard setting 100 bar (1450 psi)
U(G4)	XCAR308114	Range 200-315 bar (2900-4600 psi) standard setting 200 bar (2900 psi)

7 Section threading

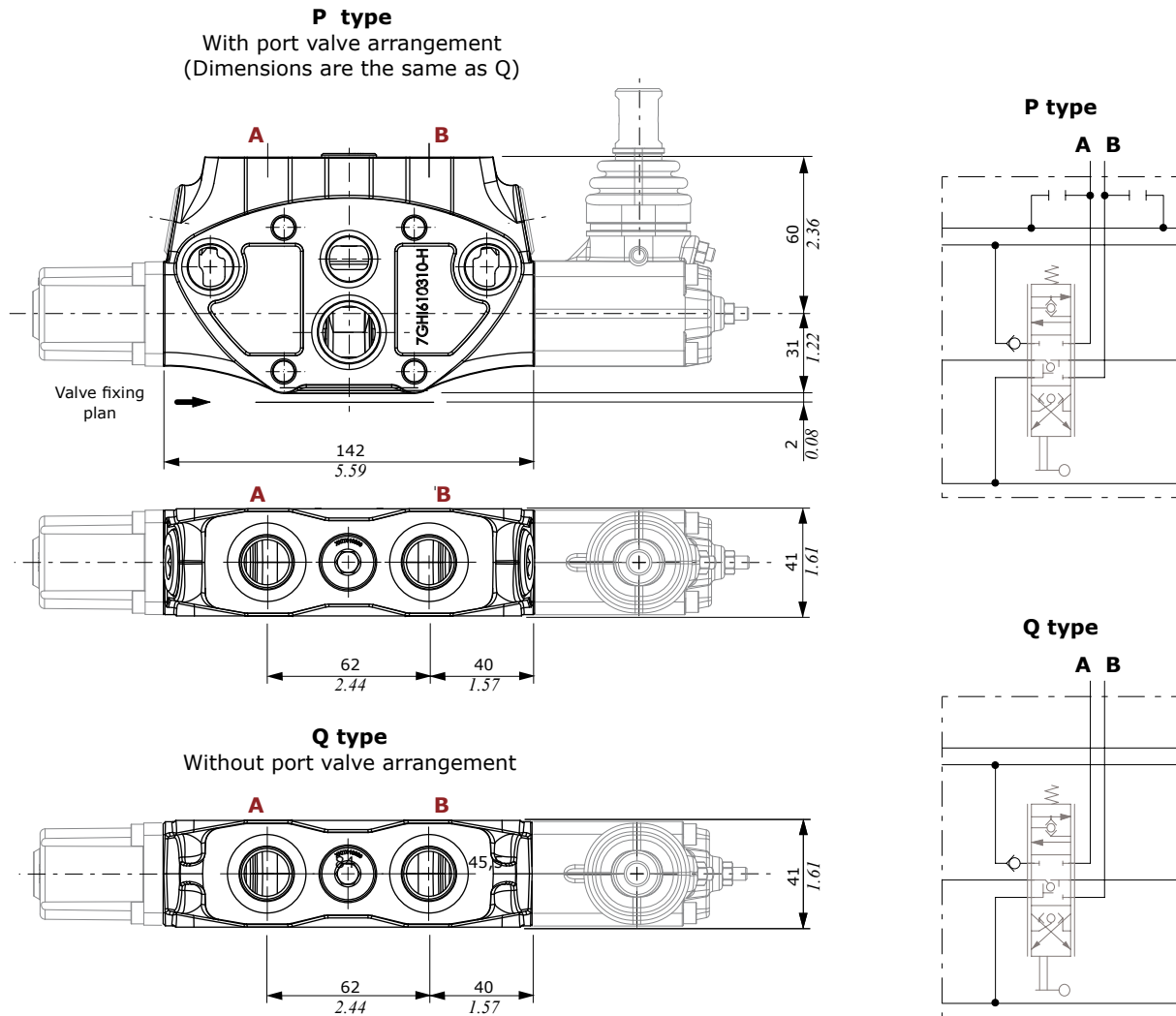
Specify only if it is different from BSP standard (see page 49)

8 Optional handlevers

TYPE	CODE	DESCRIPTION
AL01/M10x200	170012020	For L lever box, 200 mm (7.87 in)
AL08/M12x200	170013120	For LCB joystick, 200 mm (7.87 in)
For handlever features, please see dedicated catalogue cod. D1WWEH01E		

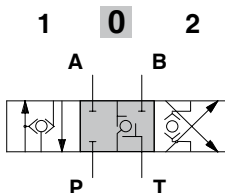
NOTE (*) - Codes are referred to **UN-UNF** thread.

Dimensional data and hydraulic circuit



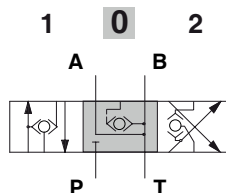
Spools

Type 6V/6Q/6S/6N spool
Double acting, 3 positions with A and B closed in neutral position



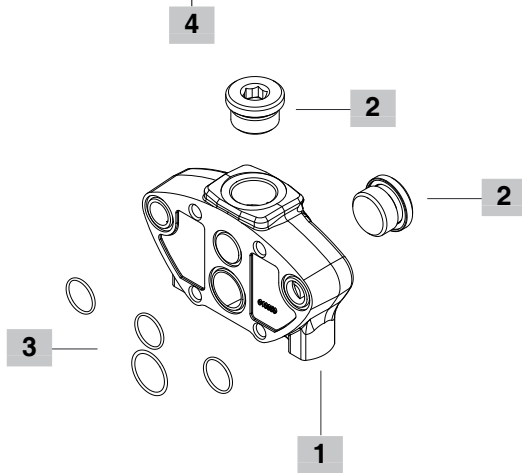
Spool stroke
position 1: + 7 mm (+ 0.28 in)
position 2: - 7 mm (- 0.28 in)

Type 7V/7Q/7S/7N spool
Double acting, 3 positions with A and B to tank in neutral position



Spool stroke
position 1: + 7 mm (+ 0.28 in)
position 2: - 7 mm (- 0.28 in)

FS DLS8 / RF -



1 Outlet section *

CODE	DESCRIPTION
3FIA208700-H	Outlet section body

2 Plug *

CODE	DESCRIPTION
3XTAP826160	SAE 10 plug

3 O-ring seals

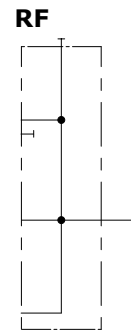
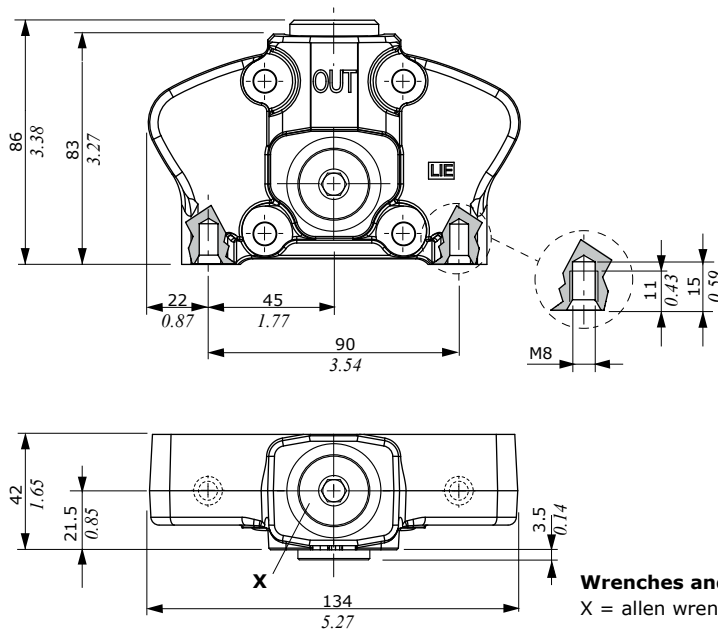
CODE	DESCRIPTION
4GUA118818	O-ring 18.77x1.78 NBR 70 SH (3 pieces)
4GUA125118	O-ring 25.12x1.78 NBR 70 SH (1 piece)

4 Section threading

Specify only if it is different from BSP standard (see page 49)

NOTE (*) - Codes are referred to **UN-UNF** thread.

Dimensional data and hydraulic circuit



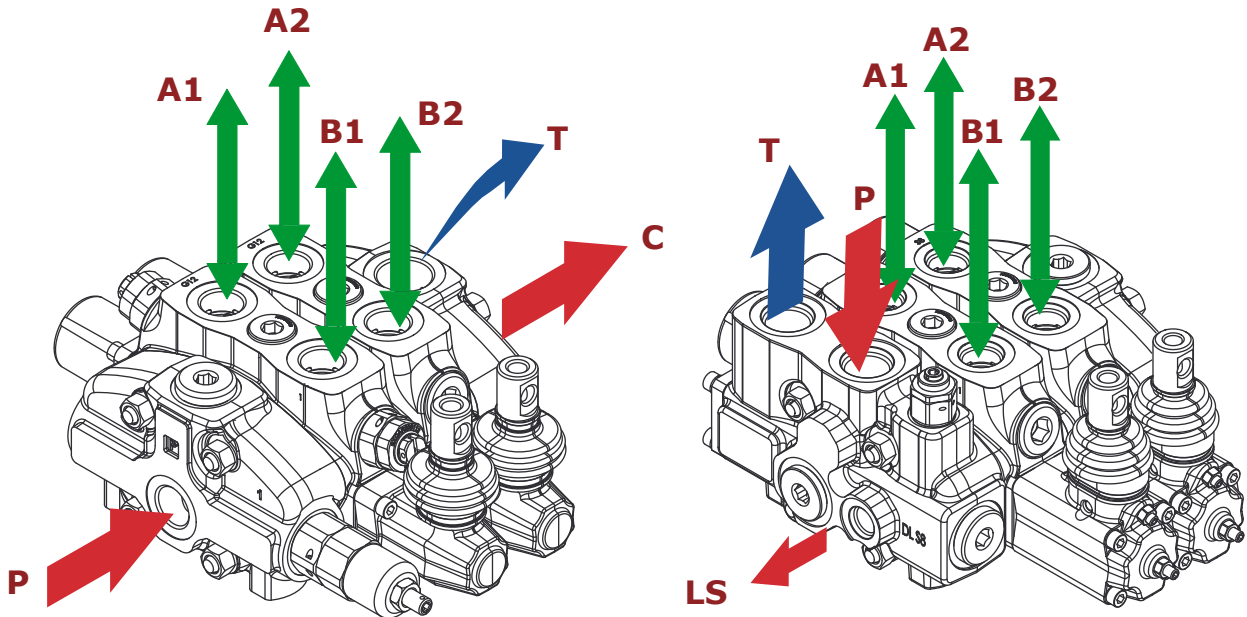
Wrenches and tightening torques
 X = allen wrench 12 - 42 Nm (31 lbft)

Installation and maintenance

The SD8/DLS8 valves are assembled and tested as per the technical specifications of this catalogue.

Before the final installation on your equipment, follow the below recommendations:

- the valve can be assembled in any position; please in order to prevent working section deformation and spool sticking, mount the product on a flat surface;
- in order to prevent the possibility of water entering the lever box and spool control kit, do not use high pressure washdown directly on the valve;
- prior to painting, ensure plastic port plugs are tightly in place.



Fitting tightening torque - Nm (*lbft*)

THREAD TYPE	P port	A, B port	T, C port	LS signal
BSP	G 1/2	G 1/2	G 3/4	G 1/4
With O-Ring seal	50 - 36.9	50 - 36.9	70 - 51.6	20 - 14.7
With copper washer	60 - 44.3	60 - 44.3	70 - 51.6	25 - 18.4
With steel and rubber washer	60 - 44.3	60 - 44.3	70 - 51.6	16 - 11.8
UN-UNF	7/8-14 (SAE 10)	3/4-16 (SAE 8)	7/8-14 (SAE 10)	9/16-18 (SAE 6)
With O-Ring seal	90 - 66.4	60 - 44.3	90 - 66.4	30 - 22.1
METRIC	M22x1,5	M22x1,5	M27x2	M14x1,5
With O-Ring seal	60 - 44.3	60 - 44.3	100 - 73.7	35 - 25.8

NOTES – This torque is recommended. Assembly tightening torque depends on many factors, including lubrication, coating and surface finish. The manufacturer has to be consulted.

Types and ordering codes

Coil type	Voltage	Connectors						
		ISO4400	Deutsch DT	AMP JPT	Packard Weatherpack	Packard Metri-pack	Flying leads (without conn.)	
BER	10 VDC	4SLE001000A	-	-	-	-	-	
	12 VDC	4SLE001200A 4SLE001217A ⁽³⁾	4SLE001201A ⁽⁵⁾	4SLE001209A ⁽³⁻⁴⁾	4SLE001203A ⁽⁴⁾	4SLE001210A ⁽²⁾	4SLE001214A ⁽²⁾	4SLE001207A
			4SLE001202A ⁽⁵⁾	4SLE001216A ⁽³⁻⁵⁾	4SLE001211A ⁽³⁻⁴⁾	-	-	-
			4SLE001206A ⁽²⁾	4SLE001400A ⁽⁶⁾	4SLE001403A ⁽³⁻⁵⁾	-	-	-
			4SLE001401A ⁽³⁻⁶⁾	4SLE001402A ⁽³⁻⁵⁾	-	-	-	
	14 VDC	-	4SLE002400A	4SLE002401A ⁽⁴⁾	4SLE002403A ⁽⁴⁾	-	-	4SLE002404A
	24 VDC	4SLE002408A ⁽³⁾ 4SLE302400A ⁽¹⁾	4SLE002407A ⁽³⁻⁴⁾ 4SLE002402A ⁽⁵⁾	-	-	-	-	-
	28 VDC	-	4SLE002802A ⁽⁶⁾	4SLE002800A ⁽⁵⁾	-	-	-	-
	48 VDC	4SLE004800A 4SLE304800A ⁽¹⁾	-	-	-	-	-	-
	110VDC	4SLE011000A 4SLE311000A ⁽¹⁾	-	-	-	-	-	-
220 VDC	4SLE022000A 4SLE322000A ⁽¹⁾	-	-	-	-	-	-	
BT	10 VDC	4SL3000100	-	-	-	-	-	
	12 VDC	4SL3000120 4SL3000126 ⁽⁴⁾	4SL3000130 ⁽⁶⁾	4SL3000134 ⁽³⁻⁶⁾	4SL3000122 ⁽⁵⁾	4SL3000124 ⁽²⁾	4SL3000127 ⁽²⁾	4SL300012C
			4SL3000128 ⁽²⁾	4SL3000120 ⁽³⁻⁵⁾	-	-	-	
	24 VDC	4SL3000240 4SL3030240 ⁽¹⁾	4SL3000249 ⁽⁶⁾ 4SL300024C ⁽³⁻⁶⁾	4SL3000248 ⁽⁵⁾	-	-	-	4SL3000246
	26 VDC	4SL3000260	-	-	-	-	-	-
	48 VDC	4SL3000480 4SL3030480 ⁽¹⁾	-	-	-	-	-	-
	110 VDC	4SL3001100 4SL3031100 ⁽¹⁾	-	-	-	-	-	-
220 VDC	4SL3002200 4SL3032200 ⁽¹⁾	-	-	-	-	-	-	
BPV	12 VDC	4SLA001200	-	-	-	-	4SLA001201	
	24 VDC	4SLA002400	-	-	-	-	4SLA002401	
Mating connectors (for connector with rectifier see following table)		4CN1009995	5CON140031	5CON003	5CON001	5CON017	-	

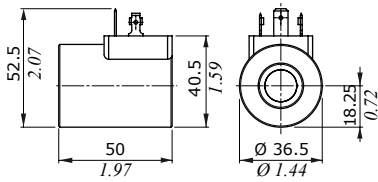
NOTES - ⁽¹⁾ supply with AC and use only with rectifier connector - ⁽²⁾ with flying leads - ⁽³⁾ with bidirectional diode
⁽⁴⁾ with unidirectional diode - ⁽⁵⁾ integrated perpendicular type - ⁽⁶⁾ integrated parallel type

Voltage	ISO 4400 mating connector with rectifier	
	BER type coil	BT type coil
24 VDC	4CN1010240	4CN3010240
48 VDC	4CN1010480	4CN3010480
110 VDC	4CN1011100	4CN3011100
220 VDC	4CN1012200	4CN3012200

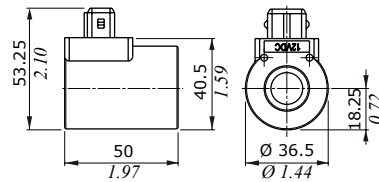
Dimensions and features

BT type

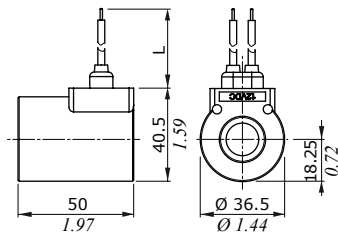
ISO4400 connector



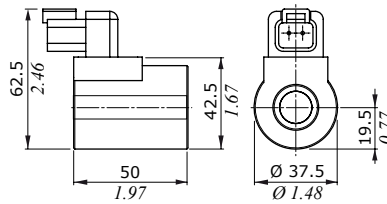
AMP JPT connector



Flying leads



DEUTSCH DT04 connector

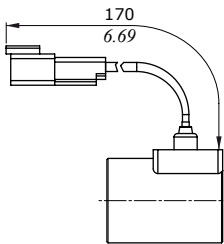


Coil type	Dimension L	
	(mm)	(in)
12VDC	247	9.72
24VDC	307	12.09

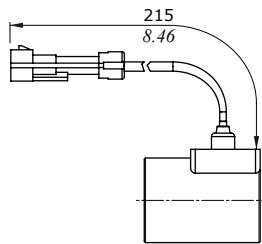
Features

- Nominal voltage tolerance... : ±10%
- Power rating : 19 W - 10 VDC
- : 21 W - 12/24/26 VDC
- : 20.3 W - 48 VDC
- : 17.3 W - 110 VDC
- : 17.7 W - 220 VDC
- : 19.9 W - 24 RAC
- : 20.7 W - 48 RAC
- : 20 W - 110/220 RAC
- Max. operating current . . . : 1.9 A - 10 VDC
- : 1.77 A - 12 VDC
- : 0.89 A - 24VDC
- : 0.84 A - 26 VDC
- : 0.43 A - 48 VDC
- : 0.16 A - 110 VDC
- : 0.08 A - 220 VDC
- : 0.93 A - 24 RAC
- : 0.47 A - 48 RAC
- : 0.18 A - 110 RAC
- : 0.09 A - 220 RAC
- Coil insulation : Classe F (155°C - 311°F)
- Weather protection : IP65 - ISO4400
- : IP69K - Deutsch DT
- : IP65 - AMP JPT
- : IP67 - Weatherpack
- : IP67 - Metri-pack
- Insertion : 100%

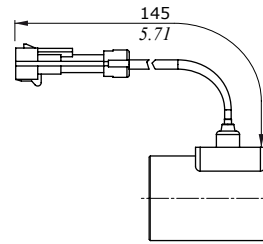
Flying leads with DEUTSCH DT04 connector



Flying leads with PACKARD WEATHER-PACK connector

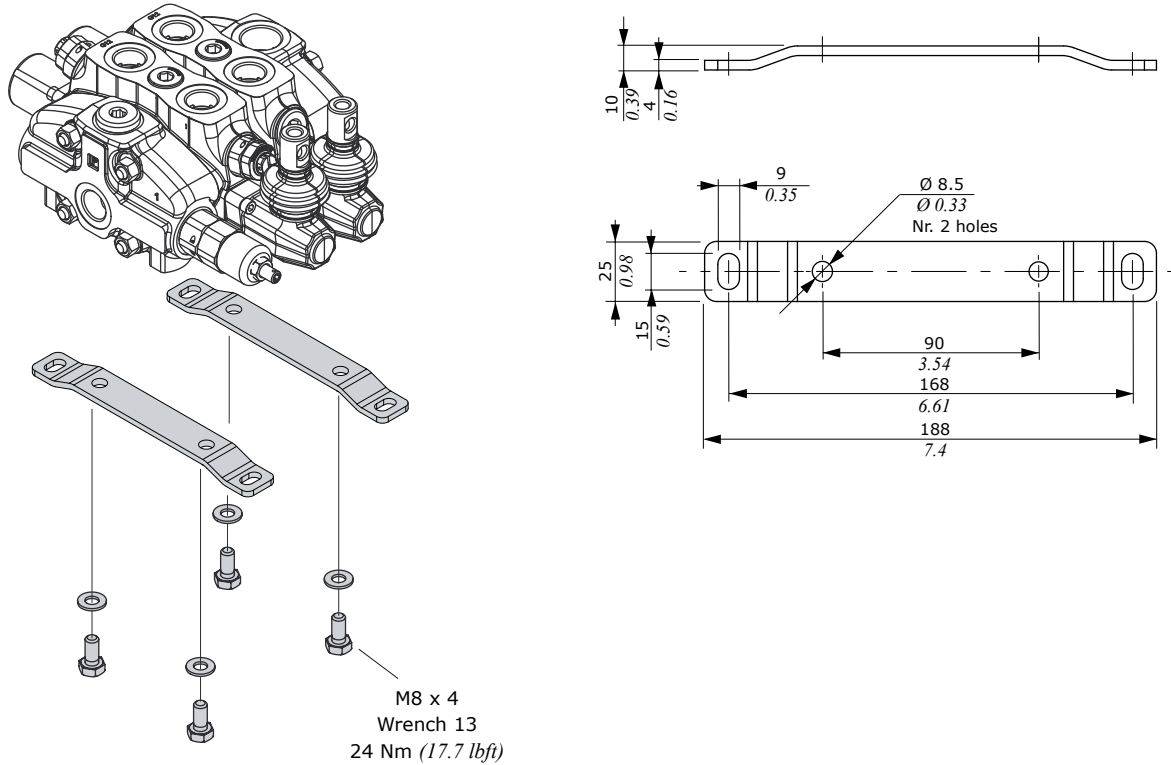


Flying leads with PACKARD METRI-PACK connector



Fixing brackets

Galvanized steel made, with screws and washers; available for SD8 and DLS8 valves.



Painting

SD8/DLS8 valve can be supplied with one coat of black paint (**CVN** configuration).

Description example: SD8/2/AC(YG3-175)/18L/18L/RC-**<CVN>**

NOTE - For different colour, please contact our Sales Dpt.

Notes



Innovation · Continuity · Integration
————— It is Power —————



D1WWEB05A
2nd edition June 2018

Walvoil S.P.A. • 42124 Reggio Emilia • Italy • Via Adige, 13/D • Tel. +39.0522.932411 • Fax +39.0522.300984
www.walvoil.com

