

# hydrapulse®

## Smart Pump

**Industrial 200-800vdc**

**2.5kW, 10kW, 30kW**



The Hydrapulse Smart Pump is a ruggedized electro-hydraulic pump unit with integrated motor, controller and closed-loop feedback that is specifically designed to take industrial fluid power to the next level of integration, efficiency, and control. The Hydrapulse Smart Pump combines the power of hydraulics with the precision of automation to create systems that drive the future of fluid power.

### FEATURES

- Proportional and directional control
- Closed-loop sensor feedback
- Integrated gear pump and check valves
- Integrated liquid cooling
- Industry 4.0/ IIOT ready
- Up to 70% more efficient than traditional HPUs
- 3 times smaller overall system size
- Standard SAE type pump mounts
- Standard SAE hydraulic ports
- CAN J1939 communication interface

### APPLICATIONS

- Industrial HPUs
- Machining station HPUs
- Injection molding machines
- Robotics
- Precision press applications
- Metal forming machines

### COMPLIANCE

- UL 845, 1741
- UL/IEC/EN 61800-5-1 Adjustable Speed Electrical Power Drives
- IEC/EN 61800-3 Electromagnetic Compatibility
- FCC Radiated Emissions

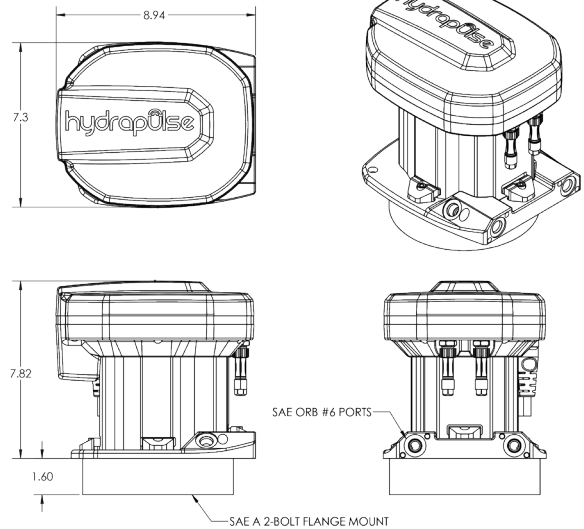
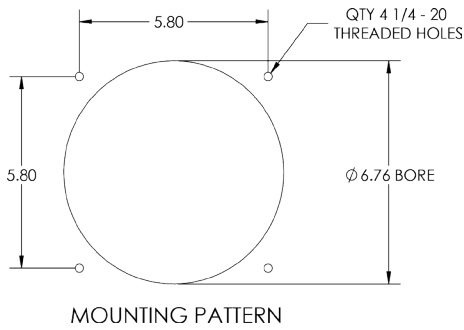
### SPECS

Hydrapulse	2.5kW (3.3hp)	10kW (13.4hp)	30kW (40hp)
Part Number	HP-025-800	HP-100-800	HP-300-800
Unit Weight	30 lbs	70 lbs	200 lbs
Housing Material	Anodized 6061 Aluminum	Anodized 6061 Aluminum	Anodized 6061 Aluminum
IP Rating	IP68	IP68	IP68
<b>Electrical</b>			
Voltage Input Range	200-700 vdc	200-700 vdc	200-700 vdc
Max Current Draw	3.8 a @650 vdc	17 a @650 vdc	55 a @650 vdc
Max Power Output	2.45kW (3.28hp) @650 vdc	11kW(14.7hp) @650 vdc	35kW (47hp) @650 vdc
Comm Connector	Samtec IP68 sealed M12	Samtec IP68 sealed M12	Samtec IP68 sealed M12
Power Connector	Amphenol Mini Magnamate Series	Amphenol EL Series	Amphenol Magnamate Series
Communication Protocol	CAN J1939	CAN J1939	CAN J1939
<b>Pump*</b>			
Pump Mount	SAE Type A	SAE Type A	SAE Type B
Max Pump Speed	4,000 rpm*	4,000 rpm*	4,000 rpm*
Max A and B Pressure	4,000 psi*	4,000 psi*	4,000 psi*
Max Flow Rate	0-4 gpm*	0-10 gpm*	0-30 gpm*
<b>Motor</b>			
Continuous Stall Torque	5.0 ft-lb	24.2 ft-lb	105.4 ft-lb
Rated Torque	4.3 ft-lb	20.4 ft-lb	79.14 ft-lb
Max Speed	4,000 rpm	4,000 rpm	4,000 rpm

\*Pump specifications are specific to each application. Contact Hydrapulse for more information.

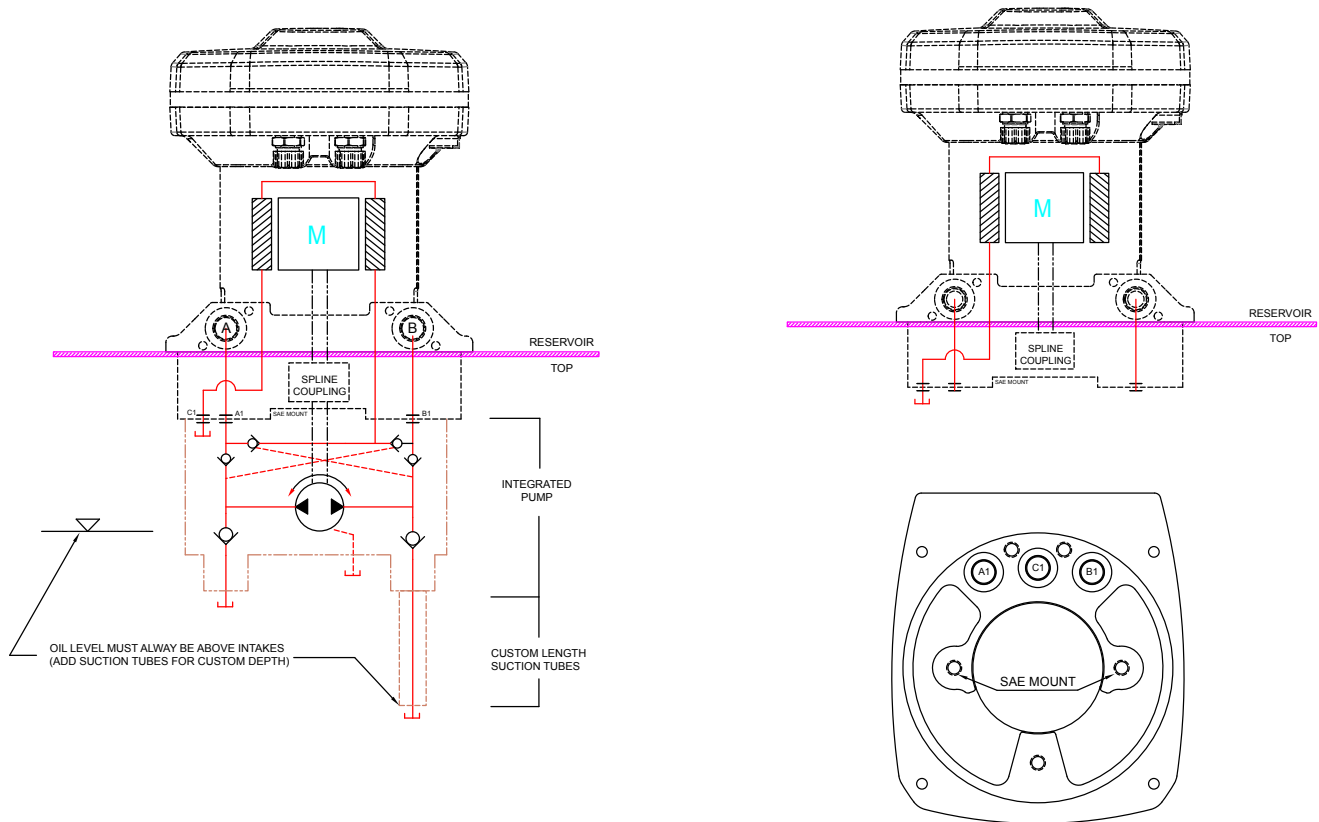
# DRIVE SIDE DIMENSIONAL DRAWINGS

2.5kW



# PUMP SIDE SCHEMATIC

2.5kW, 10kW, and 30kW sizes



## WARNING!

FAILURE OR IMPROPER SELECTION OR IMPROPER USE OF THE PRODUCTS AND/OR SYSTEMS DESCRIBED HEREIN OR RELATED ITEMS CAN CAUSE DEATH, PERSONAL INJURY AND PROPERTY DAMAGE. This document and other information from Hydrapulse LLC, its subsidiaries and authorized distributors provide product and/or system options for further investigation by users having technical expertise. It is important that you analyze all aspects of your application, including consequences of any failure, and review the information concerning the product or system in the current product catalogue. Due to the variety of operating conditions and applications for these products or systems, the user, through its own analysis and testing, is solely responsible for making the final selection of the products and systems and assuring that all performance, safety and warning requirements of the application are met. The products described herein, including without limitation, product features, specifications, designs, availability and pricing, are subject to change by Hydrapulse LLC and its subsidiaries at any time without notice. This product can expose you to chemicals including lead, which is known to the State of California to cause cancer. For more information, go to [www.P65Warnings.ca.gov](http://www.P65Warnings.ca.gov).