



CED160 electronic control unit

- 12VDC applications
- One proportional function control (1 input / 2 outputs)
- Six digital outputs control (through six relays)
- Designed for PHC electronic systems

Working conditions

General features

CED160

Supply voltage	from 9 to 16 V
Current consumption	50 mA (no-load current) 15A (max. supply)
Max. current output	7.5 A
Interface	CAN 2.0 A - B, 125-250 Kbit/sec
EMC compatibility	150 V/m - ISO13766, ISO14982
Environmental compatibility	IEC60068-2-6/27/29
Working temperature	from -40 to +85°C (from -40°F to 185°F)
Protection degree	IP67 with mating connector attached
Weight	0.3 Kg (0.66 lb)

Analog inputs

Number	3
Signal type	from 0.5 to 4.5 V

Digital inputs

Number	6
Signal type	0/VB

Proportional outputs

Number	1 couple
Type	HSD*
Signal	PWM
Frequency	from 50 to 300 Hz
Max. load	2 A

ON/OFF outputs

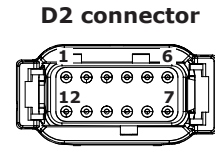
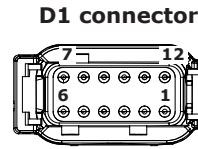
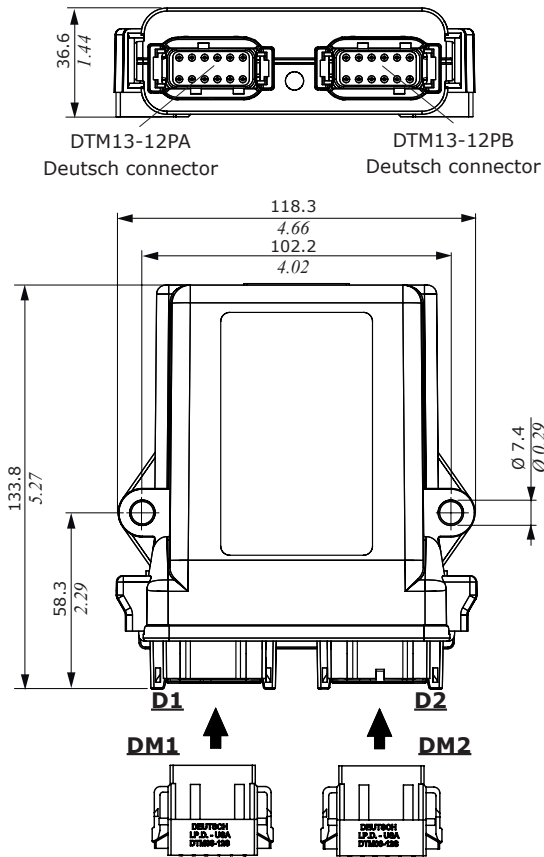
Number	6
Signal type	relay (HSD*)
Max. load	7.5 A

NOTE (*): HSD - High Side Driver
LSD - Low Side Driver

Electronic control units

CED160 electronic control unit

Dimensions and pin-out



Pin	Connector PIN-OUT	
	D1 connector	D2 connector
1	OUT_1	DI_5
2	VB-	DI_6
3	CAN_H	DI_1
4	CAN_L	GND_P
5	OUT_5	AI_3
6	OUT_6	AI_2
7	VK+	AI_1
8	VK+	OUT_B
9	OUT_2	DI_2
10	OUT_3	DI_3
11	OUT_4	DI_4
12	OUT_1	OUT_A

Mating connectors	
Name	Type
DM1	DTM06-12SA Deutsch
DM2	DTM06-12SB Deutsch

CED160 control unit code

Code 183360008

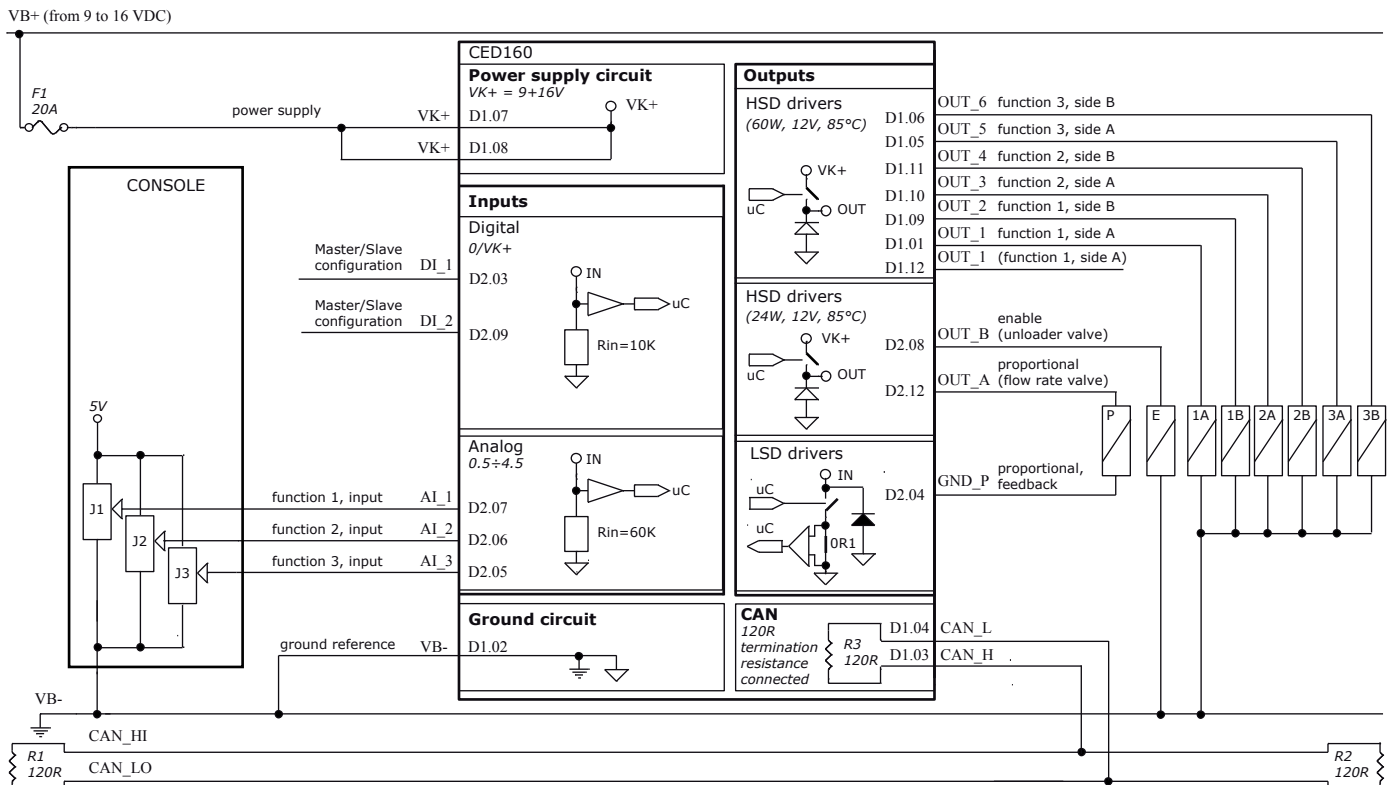
Description CED160/PHC160F-12V/v4.00

Notes Supply voltage 12V, 1 prop. function (2 outputs - 2A), 3 ON-OFF functions (6 outputs - 5A)

System diagram

Specific circuit configuration

The CED160 control unit is available in dedicated configuration for the SDE series with direct acting solenoid control. It is possible to configure the system with a maximum of 1 Master controller (1 proportional, 1 unloader and 6 on/off coils) and 3 Slave controllers (6 on/off coils for every controller). For information, please contact our Sales Department.



CED configuration

DI_1	DI_2	CED
GND	GND	CEDA (Master)
VB+	GND	CEDB (Slave1)
GND	VB+	CEDC (Slave2)
VB+	VB+	CEDD (Slave3)